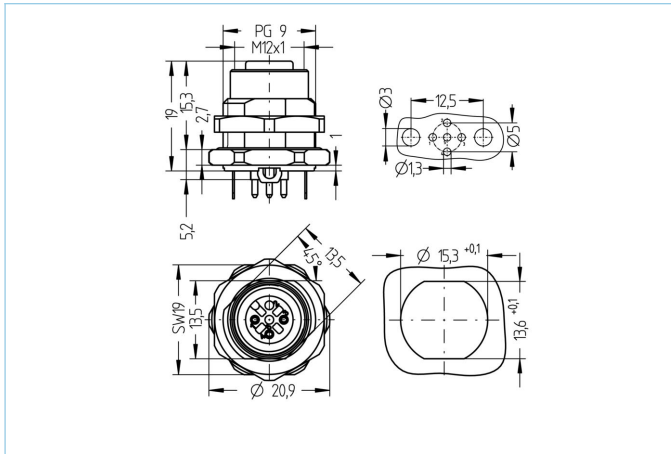


Receptacle, M12, female, straight, 4 poles, back wall-mounting, print contact, shielded



| Product data                   |   |
|--------------------------------|---|
| Item description               | AL-FHM12KSA4-P/PG9                      |
| Item-No.                       | 8072240                                 |
| Customs tariff-No.             | 85366990                                |
| Packaging unit                 | 10                                      |
| Step-File                      | AL-FHM12KSA4-P_Pg9.stp                  |
| EAN                            | 4047106168995                           |
| Technical data                 |   |
| Connector                      | female, straight, M12                   |
| Number of pins                 | 4                                       |
| Coding                         | A                                       |
| Rated voltage                  | 250V                                    |
| Current load per pin (at 40°C) | 4A                                      |
| Insulation resistance          | ≥10 <sup>9</sup> Ω                      |
| Ambient temperature product    | -30°C...+90°C                           |
| Contact material               | Metal, CuZn, gold-plated                |
| Contact-carrier material       | Plastic, PA GF, BK                      |
| Receptacle housing material    | Metal, CuZn, nickel-plated              |
| Sealing (female) material      | FPM/FKM                                 |
| Material of external sealing   | NBR                                     |
| Shielding                      | with shielding                          |
| Mounting direction             | Back wall-mounting (incl. Fixing screw) |
| Wrench size of fastening nut   | A/F18                                   |
| Fastening thread               | PG9                                     |
| Connecting type                | Print contact                           |
| Standards                      | IEC 61076-2-101                         |
| Degree of protection (mounted) | IP65, IP67, IP68                        |
| Mechanical life-cycle          | >100 mating cycles                      |
| Degree of pollution            | 3                                       |
| Style                          | straight                                |

#### Classification

|            |          |
|------------|----------|
| eCl@ss 6.0 | 27279220 |
| eCl@ss 7.0 | 27440103 |
| eCl@ss 8.0 | 27440103 |
| eCl@ss 9.0 | 27440103 |
| ETIM 5.0   | EC002061 |
| ETIM 6.0   | EC002061 |

#### Link to product

<https://www.escha.net/en/products/standard/receptacles/8072240>