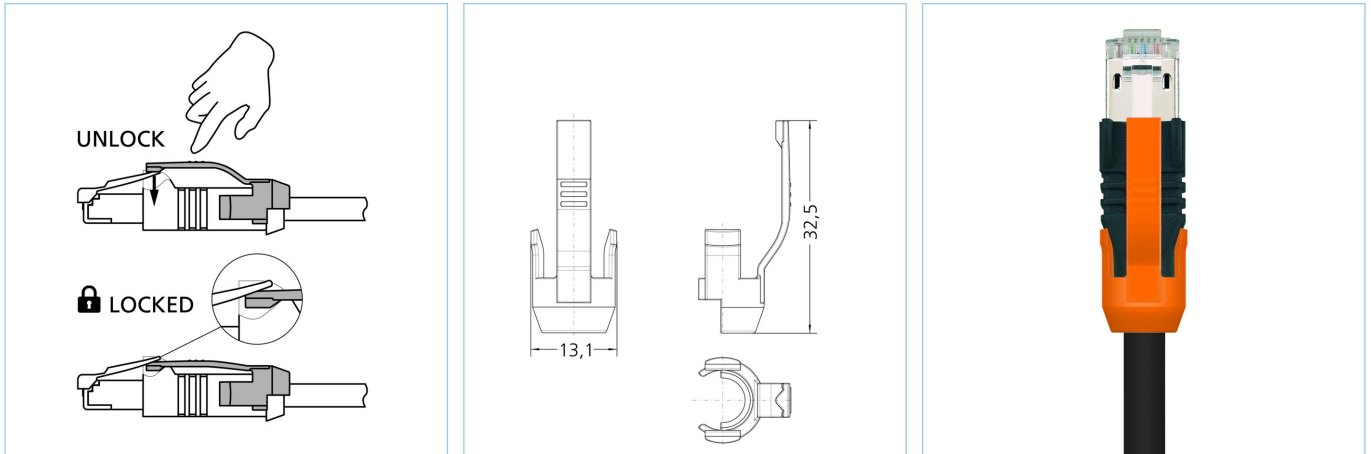


## Unlocking clip, RJ45, orange, QTY 10



### Product data

|                    |                                       |
|--------------------|---------------------------------------|
| Item description   | Entriegelungsclip RJ45, OG, VE=10Stck |
| Item-No.           | 8071944                               |
| Customs tariff-No. | 39269097                              |
| Packaging unit     | 10                                    |
| Step-File          | Entriegelungsclip_RJ45.stp            |
| EAN                | 4047106158668                         |

### Technical data

|          |                     |
|----------|---------------------|
| Material | POM                 |
| Color    | OG, similar RAL2008 |

### other variants

|  |
|--|
| WH, similar RAL9002, QTY 10<br><a href="https://www.escha.net/en/products/standard/accessories-for-connectivity/8071938">https://www.escha.net/en/products/standard/accessories-for-connectivity/8071938</a>   |
| RD, similar RAL3020, QTY 10<br><a href="https://www.escha.net/en/products/standard/accessories-for-connectivity/8071939">https://www.escha.net/en/products/standard/accessories-for-connectivity/8071939</a>   |
| BU, similar RAL5002, QTY 10<br><a href="https://www.escha.net/en/products/standard/accessories-for-connectivity/8071940">https://www.escha.net/en/products/standard/accessories-for-connectivity/8071940</a>   |
| YE, similar RAL1018, QTY 10<br><a href="https://www.escha.net/en/products/standard/accessories-for-connectivity/8071941">https://www.escha.net/en/products/standard/accessories-for-connectivity/8071941</a>   |
| GN, similar RAL6018, QTY 10<br><a href="https://www.escha.net/en/products/standard/accessories-for-connectivity/8071942">https://www.escha.net/en/products/standard/accessories-for-connectivity/8071942</a>   |
| BK, similar RAL9004, QTY 10<br><a href="https://www.escha.net/en/products/standard/accessories-for-connectivity/8071943">https://www.escha.net/en/products/standard/accessories-for-connectivity/8071943</a>   |
| VT, similaire RAL4004, QTY 10<br><a href="https://www.escha.net/en/products/standard/accessories-for-connectivity/8071945">https://www.escha.net/en/products/standard/accessories-for-connectivity/8071945</a> |
| GY, similar RAL7035, QTY 10<br><a href="https://www.escha.net/en/products/standard/accessories-for-connectivity/8071946">https://www.escha.net/en/products/standard/accessories-for-connectivity/8071946</a>   |
| PK, similar RAL4003, QTY 10<br><a href="https://www.escha.net/en/products/standard/accessories-for-connectivity/8071947">https://www.escha.net/en/products/standard/accessories-for-connectivity/8071947</a>   |
| BN, similar RAL1002, QTY 10<br><a href="https://www.escha.net/en/products/standard/accessories-for-connectivity/8071948">https://www.escha.net/en/products/standard/accessories-for-connectivity/8071948</a>   |

### Classification

|            |          |
|------------|----------|
| eCl@ss 6.0 | 27261207 |
| eCl@ss 7.0 | 27440210 |
| eCl@ss 8.0 | 27440210 |
| eCl@ss 9.0 | 27440210 |
| ETIM 5.0   | EC002310 |
| ETIM 6.0   | EC002310 |

### Link to product

<https://www.escha.net/en/products/standard/accessories-for-connectivity/8071944>