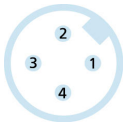
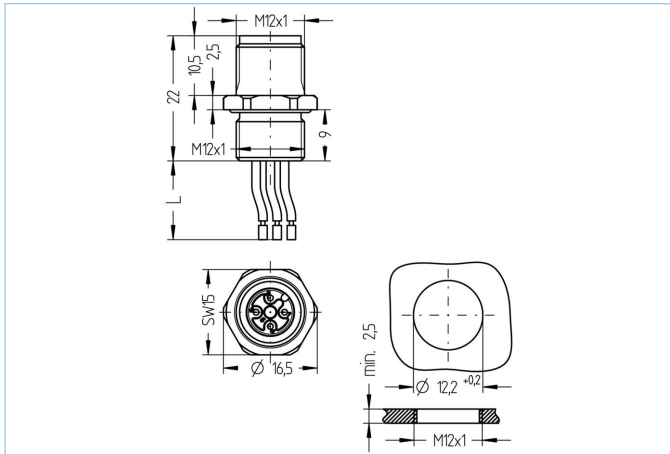


Receptacle, M12, male, straight, 4 poles, front wall-mounting, wire contact



Product data

Item description	AL-FVM12SUA4-0,5/M12
Item-No.	8071832
Customs tariff-No.	85444290
Packaging unit	5
Step-File	AL-FVM12SUA4-m_M12.stp
EAN	4047106169190

Technical data

Connector	male, straight, M12
Number of pins	4
Pin assignment	1 BN, 2 WH, 3 BU, 4 BK
Coding	A
Rated voltage	250V
Current load per pin (at 40°C)	4A
Insulation resistance	$\geq 10^9 \Omega$
Ambient temperature product	-30°C...+90°C
Contact material	Metal, CuSn, gold-plated
Contact-carrier material	Plastic, PA GF, BK
Receptacle housing material	Metal, CuZn, nickel-plated
Material of external sealing	NBR
Mounting direction	Front wall-mounting (without fixing screw)
Wire length	0.50m
Wire colors	BN, WH, BU, BK
Wire cross-section	4 x 0.34 mm ²
Wire insulation material	PVC
Fastening thread	M12x1

Connecting type	Wire contact
Standards	IEC 61076-2-101
Degree of protection (mounted)	IP65, IP67, IP68
Mechanical life-cycle	>100 mating cycles
Degree of pollution	3
Style	straight

Classification

eCl@ss 6.0	27279220
eCl@ss 7.0	27440103
eCl@ss 8.0	27440103
eCl@ss 9.0	27440103
ETIM 5.0	EC002061
ETIM 6.0	EC002061

Link to product

<https://www.escha.net/en/products/standard/receptacles/8071832>