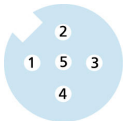
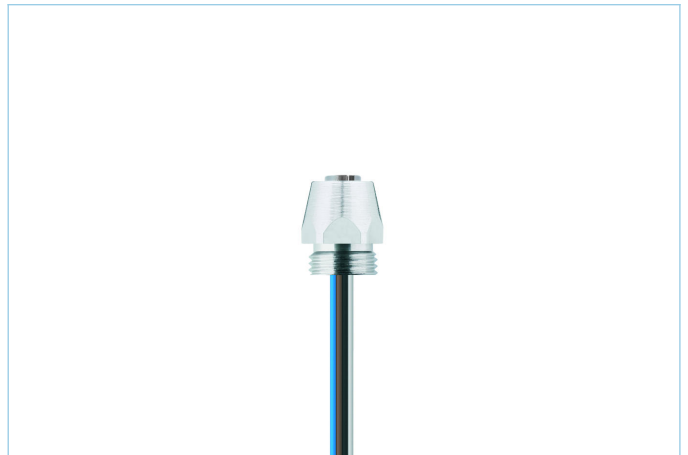
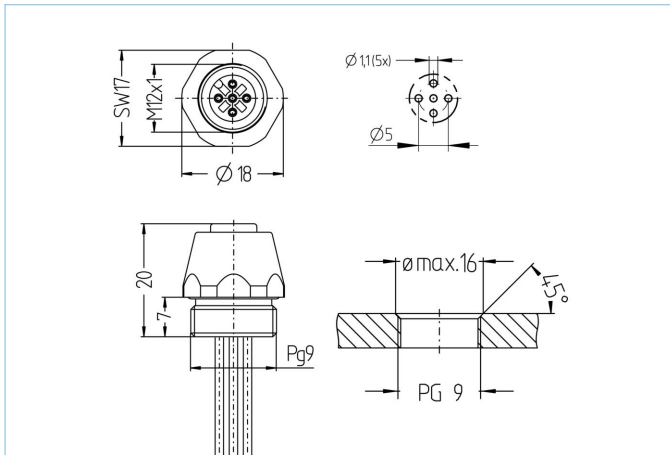


Receptacle, M12, female, straight, 5 poles, front wall-mounting, wire contact, stainless steel, Food & Beverage



| Product data                   |  |
|--------------------------------|--|
| Item description               | FB-FKE4.5-0,5/PG9                          |
| Item-No.                       | 8068279                                    |
| Customs tariff-No.             | 85366990                                   |
| Step-File                      | FB-FK4_5-m.stp                             |
| EAN                            | 4047106154448                              |
| Technical data                 |  |
| Connector                      | female, straight, M12                      |
| Number of pins                 | 5  |
| Coding                         | A  |
| Rated voltage                  | 60V   30V (UL)                             |
| Current load per pin (at 40°C) | 4A   |
| Insulation resistance          | ≥10 <sup>9</sup> Ω                         |
| Ambient temperature product    | -40°C...+105°C                             |
| Contact material               | Metal, CuZn, gold-plated                   |
| Contact-carrier material       | Plastic, PP, GY                            |
| Receptacle housing material    | V4A  |
| Sealing (female) material      | FPM/FKM                                    |
| Material of external sealing   | EPDM                                       |
| Mounting direction             | Front wall-mounting (without fixing screw) |
| Wire length                    | 0.50m                                      |
| Wire cross-section             | 5 x 0.34 mm <sup>2</sup>                   |
| Fastening thread               | PG9  |
| Connecting type                | Wire contact                               |
| Standards                      | IEC 61076-2-101                            |
| Degree of protection (mounted) | IP65, IP67, IP68, IP69                     |
| Mechanical life-cycle          | >100 mating cycles                         |
| Degree of pollution            | 3  |
| Style                          | straight                                   |

### Classification

|            |          |
|------------|----------|
| eCl@ss 6.0 | 27279220 |
| eCl@ss 7.0 | 27440103 |
| eCl@ss 8.0 | 27440103 |
| eCl@ss 9.0 | 27440103 |
| ETIM 5.0   | EC002061 |
| ETIM 6.0   | EC002061 |

### Link to product

<https://www.escha.net/en/products/standard/connectors-for-the-food-industry/8068279>