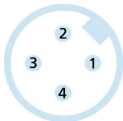
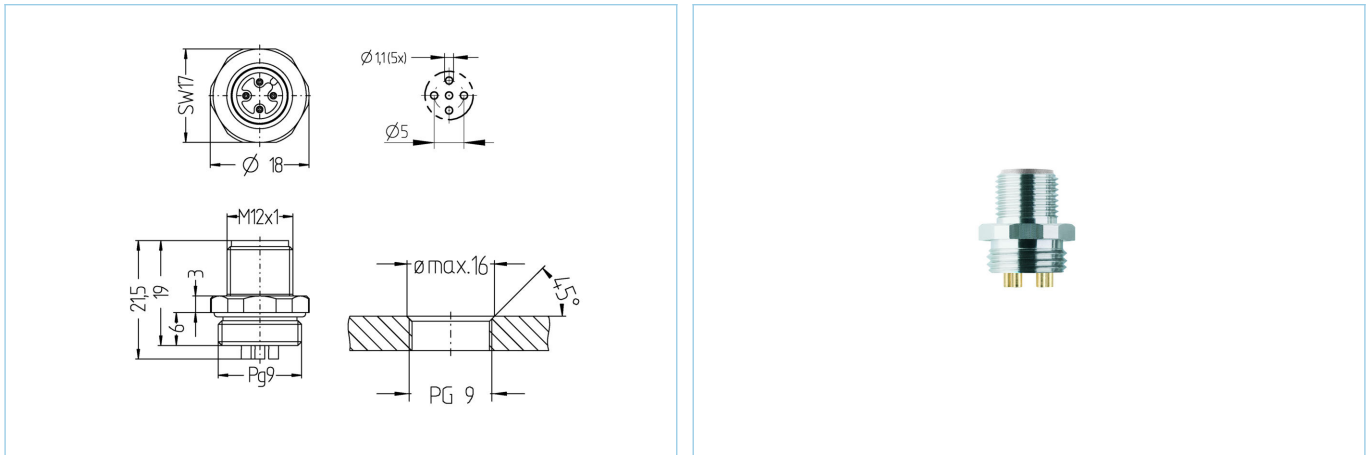


Receptacle, M12, male, straight, 4 poles, front wall-mounting, soldering contact, stainless steel, Food & Beverage



Product data	
Item description	FB-FSE4-L/PG9
Item-No.	8068272
Customs tariff-No.	85366990
Packaging unit	10
Step-File	FB-FS4-L.stp
EAN	4047106154370
Technical data	
Connector	male, straight, M12
Number of pins	4
Pin assignment	1 BN, 2 WH, 3 BU, 4 BK
Coding	A
Rated voltage	250V 30V (UL)
Current load per pin (at 40°C)	4A
Insulation resistance	≥10 ⁹ Ω
Ambient temperature product	-40°C...+105°C
Contact material	Metal, CuZn, gold-plated
Contact-carrier material	Plastic, PP, GY
Receptacle housing material	V4A
Material of external sealing	EPDM
Mounting direction	Front wall-mounting (without fixing screw)
Fastening thread	PG9
Connecting type	Soldering contact
Standards	IEC 61076-2-101
Degree of protection (mounted)	IP65, IP67, IP68, IP69
Mechanical life-cycle	>100 mating cycles
Degree of pollution	3
Style	straight

Classification

eCl@ss 6.0	27279220
eCl@ss 7.0	27440103
eCl@ss 8.0	27440103
eCl@ss 9.0	27440103
ETIM 5.0	EC002061
ETIM 6.0	EC002061

Link to product

<https://www.escha.net/en/products/standard/connectors-for-the-food-industry/8068272>