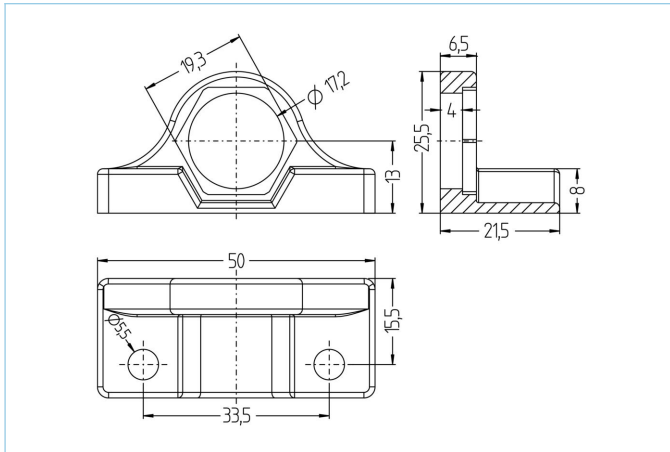


## Wall bracket for Industrial Ethernet adapter, QTY 1



### Product data

Item description	Befestigungswinkel IE-Adapter
Item-No.	8065953
Customs tariff-No.	39269097
Packaging unit	1
Step-File	Befestigungswinkel_IE-Adapter.stp
EAN	4047106158552

### Technical data

Ambient temperature product	-40°C...+85°C
Description	For Item-No. 8065952, 8065950 and 8065951
Material	Plastic

### Classification

eCl@ss 6.0	27261207
eCl@ss 7.0	27440210
eCl@ss 8.0	27440210
eCl@ss 9.0	27440210
ETIM 5.0	EC002310
ETIM 6.0	EC002310

### Link to product

<https://www.escha.net/en/products/standard/accessories-for-connectivity/8065953>