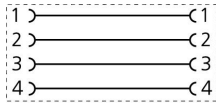
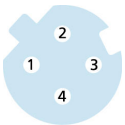
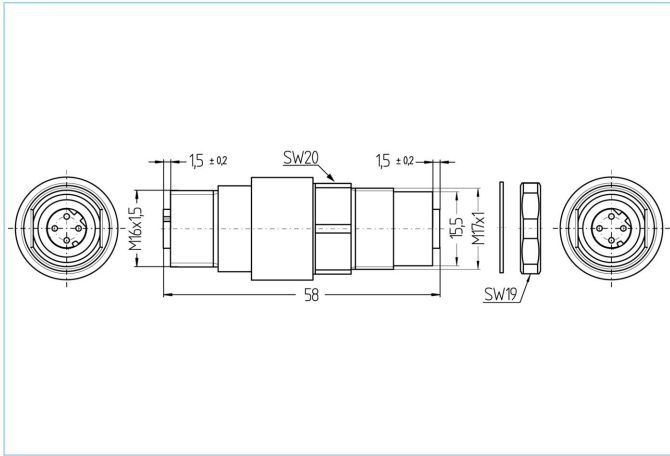


Adapter, M12, female, straight, 4 poles, D-coded, M12, female, straight, 4 poles, D-coded, shielded, Industrial Ethernet



SERCOS
the automation bus

PROFINET

ETHERNET
POWERLINK

EtherNet/IP

EtherCAT



Product data

Item description	IE-WAKSY4-IE-WAKSY4
Item-No.	8065952
Customs tariff-No.	85366990
Step-File	IE-WAKSY4-IE-WAKSY4.stp
EAN	4047106152932

Technical data	A-side	B-side
Connector	female, straight, M12	female, straight, M12
Number of pins	4	4
Coding of	D	D
Rated voltage	60V	60V
Current load (at 40°C)	4A	4A
Insulation resistance	≥10 ⁹ Ω	≥10 ⁹ Ω
Transmission features	Cat5	Cat5
Ambient temperature product	-40°C...+85°C	-40°C...+85°C
Contact material	Metal, CuZn, gold-plated	Metal, CuZn, gold-plated
Contact-carrier material	Plastic, PA, GY	Plastic, PA, GY
Coupling nut material	Metal, CuZn, nickel-plated	Metal, CuZn, nickel-plated
Housing material	Zinc die-cast	Zinc die-cast
Shielding	with shielding	with shielding
Wall thickness area (Δh)	1,0...4,0 mm	
Standards	IEC 61076-2-101	IEC 61076-2-101
Degree of protection (mounted)	IP65, IP67	IP65, IP67
Mechanical life-cycle	>100 mating cycles	>100 mating cycles
Degree of pollution	2	2

Advanced technical data rail approved

Standards	DIN EN 50155, DIN EN 45545-2
Shock & vibration	Class 1, Category B (DIN EN 61373)
Degree of protection (mounted)	IP67 (-30°C...+90°C), IP65 (-40°C...+90°C)
Temperature range	Tx (-40°C...+90°C)
Fire prevention according to	DIN EN 45545-2 HL1-3

Classification

eCl@ss 6.0	27279201
eCl@ss 7.0	27279201
eCl@ss 8.0	27279201
eCl@ss 9.0	27440106
ETIM 5.0	EC002062
ETIM 6.0	EC002925

Accessories

Wall bracket for Industrial Ethernet adapter
<https://www.escha.net/en/products/standard/accessories-for-connectivity/8065953>

Screw plug, M12
<https://www.escha.net/en/products/standard/accessories-for-connectivity/8081767>

Link to product

<https://www.escha.net/en/products/standard/data-connectors/8065952>