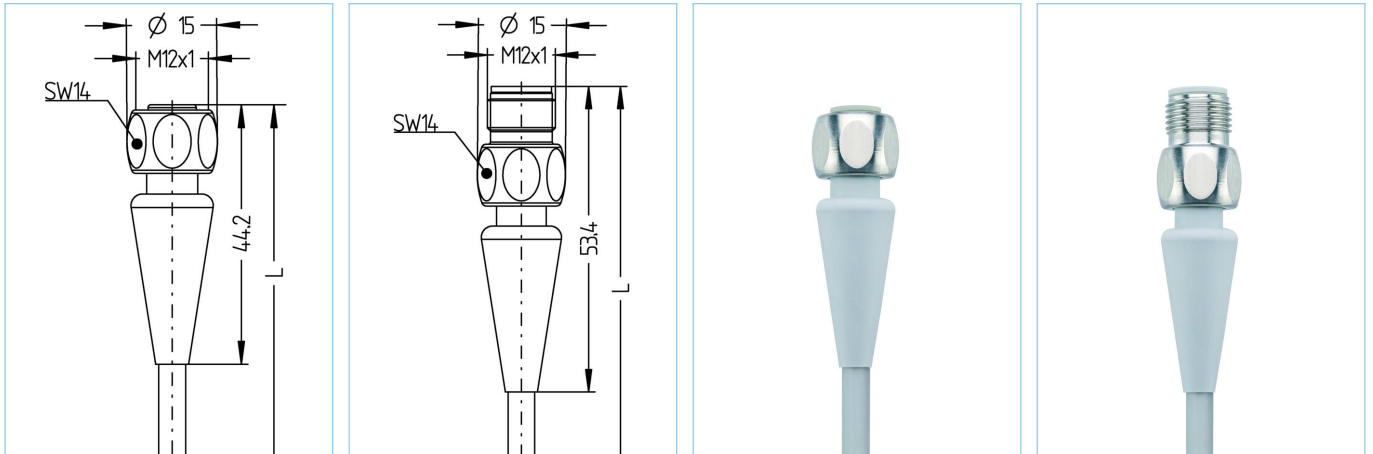


M12, female, straight, 3 poles, M12, male, straight, 3 poles, Food & Beverage



| Product data | |
|--------------------|-------------------------|
| Item description | FB-WAKH3-2-FB-WASH3/P00 |
| Item-No. | 8063853 |
| Length | 2m |
| Customs tariff-No. | 85444290 |
| Step-File | FB-WAKH3-L-FB-WASH3.stp |
| EAN | 4047106151621 |

| Technical data | A-side | B-side |
|--------------------------------|--------------------------|--------------------------|
| Connector | female, straight, M12 | male, straight, M12 |
| Number of pins | 3 | 3 |
| Pin assignment | 1 BN, 3 BU, 4 BK | 1 BN, 3 BU, 4 BK |
| Coding of | A | A |
| Rated voltage | 250V | 250V |
| Current load (at 40°C) | 4A | 4A |
| Insulation resistance | $\geq 10^8 \Omega$ | $\geq 10^8 \Omega$ |
| Resistance | $\leq 5m\Omega$ | $\leq 5m\Omega$ |
| Ambient temperature product | -40°C...+105°C | -40°C...+105°C |
| Contact material | Metal, CuZn, gold-plated | Metal, CuZn, gold-plated |
| Contact-carrier material | Plastic, PP, GY | Plastic, PP, GY |
| Grip body material | Plastic, TPE, GY | Plastic, TPE, GY |
| Coupling nut material | Stainless steel, V4A | Stainless steel, V4A |
| Sealing (female) material | EPDM | |
| Standards | IEC 61076-2-101 | IEC 61076-2-101 |
| Degree of protection (mounted) | IP65, IP67, IP68, IP69 | IP65, IP67, IP68, IP69 |
| Mechanical life-cycle | >100 mating cycles | >100 mating cycles |
| Degree of pollution | 3 | 3 |

Cable web PVC, P00, GY

PVC-cable for measurement and control-, and sensor technology. Suitable for applications in dry areas on packaging machines, assembly- and conveyor technology. High flexibility with unstressed movement (conditional drag-chain application possible). Predestined for applications in food- and beverage industry.

| | |
|------------------------------|--|
| Outer diameter of jacket | 4.20 mm |
| Cable-jacket material | PVC |
| Jacket color | GY, similar RAL7040 |
| Wire cross-section | 3 x 0.34 mm ² |
| Wire insulation material | PVC |
| Wire colors | BN, BU, BK |
| Wire structure | 19 x 0.15 mm |
| Bending radius (fixed) | 5 x Ø-cable |
| Bending radius (repeated) | 10 x Ø-cable |
| Temperature range (repeated) | 0°C...+80°C |
| Temperature range (fixed) | -25°C...+80°C |
| Rated voltage cable | ≤300 V |
| Special features | good resistance against oils and chemicals, LABS free, ozone resistant, recyclable, RoHs compliant, acid- and alkali resistant, seawater resistant, UV resistant |

Classification

| | |
|------------|----------|
| eCl@ss 6.0 | 27279218 |
| eCl@ss 7.0 | 27279218 |
| eCl@ss 8.0 | 27279218 |
| eCl@ss 9.0 | 27060311 |
| ETIM 5.0 | EC001855 |
| ETIM 6.0 | EC001855 |

Accessories
Mounting-set, M12

<https://www.escha.net/en/products/standard/accessories-for-connectivity/8047664>

Torque-wrench set

<https://www.escha.net/en/products/standard/accessories-for-connectivity/8055431>

Marking rings Ø 9mm

<https://www.escha.net/en/products/standard/accessories-for-connectivity?p=1&o=3&n=15&f=809>

Food & Beverage, Adapter

<https://www.escha.net/en/products/standard/accessories-for-connectivity/8063392>

Link to product

<https://www.escha.net/en/products/standard/connectors-for-the-food-industry/8063853>