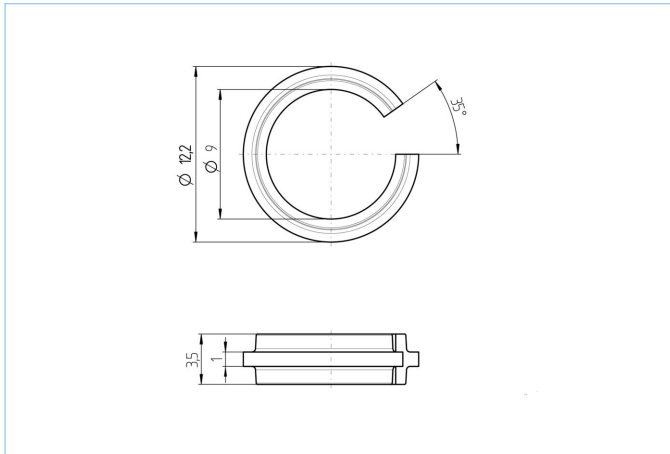


## Marking rings, Ø9mm, black, QTY 100



### Product data

Item description	Kennzeichnungsringe VPE 100 Stck, BK
Item-No.	8063528
Customs tariff-No.	39269097
Packaging unit	100
Step-File	Kennzeichnungsring.stp
EAN	4047106158491

### Technical data

Description	for color-coded cables and connectors (M12, M12 shielded, RJ45, over-molded Receptacle connector with cable: FKFD SY, M8 shielded )
Material	POM
Color	BK, similar RAL9004

### other variants

WH, similar RAL9002, QTY 100 <a href="https://www.escha.net/en/products/standard/accessories-for-connectivity/8063523">https://www.escha.net/en/products/standard/accessories-for-connectivity/8063523</a>
RD, similar RAL3020, QTY 100 <a href="https://www.escha.net/en/products/standard/accessories-for-connectivity/8063524">https://www.escha.net/en/products/standard/accessories-for-connectivity/8063524</a>
BU, similar RAL5002, QTY 100 <a href="https://www.escha.net/en/products/standard/accessories-for-connectivity/8063525">https://www.escha.net/en/products/standard/accessories-for-connectivity/8063525</a>
YE, similar RAL1018, QTY 100 <a href="https://www.escha.net/en/products/standard/accessories-for-connectivity/8063526">https://www.escha.net/en/products/standard/accessories-for-connectivity/8063526</a>
BU, similar RAL5002, QTY 100 <a href="https://www.escha.net/en/products/standard/accessories-for-connectivity/8063527">https://www.escha.net/en/products/standard/accessories-for-connectivity/8063527</a>
OG, similar RAL2008, QTY 100 <a href="https://www.escha.net/en/products/standard/accessories-for-connectivity/8063529">https://www.escha.net/en/products/standard/accessories-for-connectivity/8063529</a>
VT, similaire RAL4004, QTY 100 <a href="https://www.escha.net/en/products/standard/accessories-for-connectivity/8063530">https://www.escha.net/en/products/standard/accessories-for-connectivity/8063530</a>
GY, similar RAL7035, QTY 100 <a href="https://www.escha.net/en/products/standard/accessories-for-connectivity/8063531">https://www.escha.net/en/products/standard/accessories-for-connectivity/8063531</a>
PK, similar RAL4003, QTY 100 <a href="https://www.escha.net/en/products/standard/accessories-for-connectivity/8063532">https://www.escha.net/en/products/standard/accessories-for-connectivity/8063532</a>
BN, similar RAL1002, QTY 100 <a href="https://www.escha.net/en/products/standard/accessories-for-connectivity/8063533">https://www.escha.net/en/products/standard/accessories-for-connectivity/8063533</a>

### Classification

eCl@ss 6.0	27149129
eCl@ss 7.0	27149129
eCl@ss 8.0	27149129
eCl@ss 9.0	27400629
ETIM 5.0	EC001288
ETIM 6.0	EC001288

### Link to product

<https://www.escha.net/en/products/standard/accessories-for-connectivity/8063528>