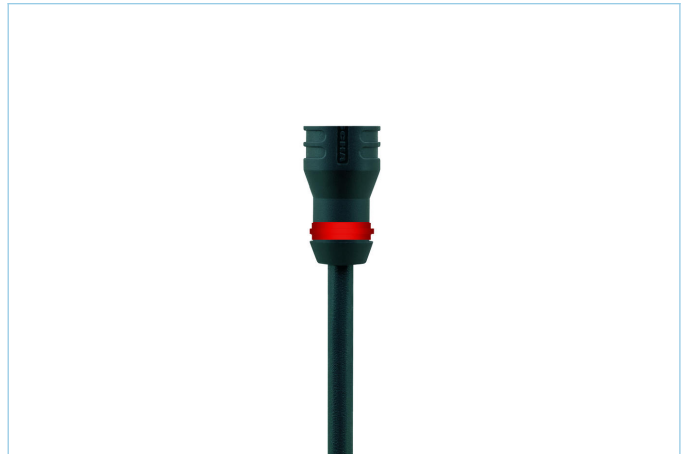
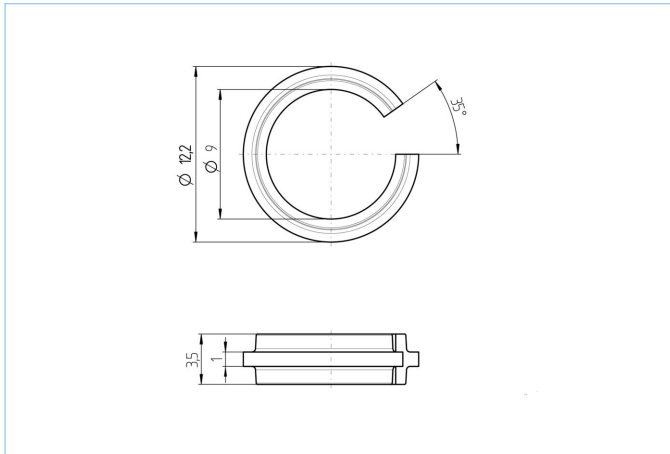


Marking rings, Ø9mm, red, QTY 100



Product data

Item description	Kennzeichnungsringe VPE 100 Stck, RD
Item-No.	8063524
Customs tariff-No.	39269097
Packaging unit	100
Step-File	Kennzeichnungsring.stp
EAN	4047106158453

Technical data

Description	for color-coded cables and connectors (M12, M12 shielded, RJ45, over-molded Receptacle connector with cable: FKFD SY, M8 shielded)
Material	POM
Color	RD, similar RAL3020

other variants

WH, similar RAL9002, QTY 100 https://www.escha.net/en/products/standard/accessories-for-connectivity/8063523
BU, similar RAL5012, QTY 100 https://www.escha.net/en/products/standard/accessories-for-connectivity/8063525
YE, similar RAL1018, QTY 100 https://www.escha.net/en/products/standard/accessories-for-connectivity/8063526
BU, similar RAL5012, QTY 100 https://www.escha.net/en/products/standard/accessories-for-connectivity/8063527
BK, similar RAL9004, QTY 100 https://www.escha.net/en/products/standard/accessories-for-connectivity/8063528
OG, similar RAL2008, QTY 100 https://www.escha.net/en/products/standard/accessories-for-connectivity/8063529
VT, similaire RAL4006, QTY 100 https://www.escha.net/en/products/standard/accessories-for-connectivity/8063530
GY, similar RAL7035, QTY 100 https://www.escha.net/en/products/standard/accessories-for-connectivity/8063531
PK, similar RAL4003, QTY 100 https://www.escha.net/en/products/standard/accessories-for-connectivity/8063532
BN, similar RAL1002, QTY 100 https://www.escha.net/en/products/standard/accessories-for-connectivity/8063533

Classification

eCl@ss 6.0	27149129
eCl@ss 7.0	27149129
eCl@ss 8.0	27149129
eCl@ss 9.0	27400629
ETIM 5.0	EC001288
ETIM 6.0	EC001288

Link to product

<https://www.escha.net/en/products/standard/accessories-for-connectivity/8063524>