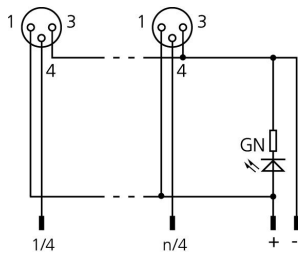
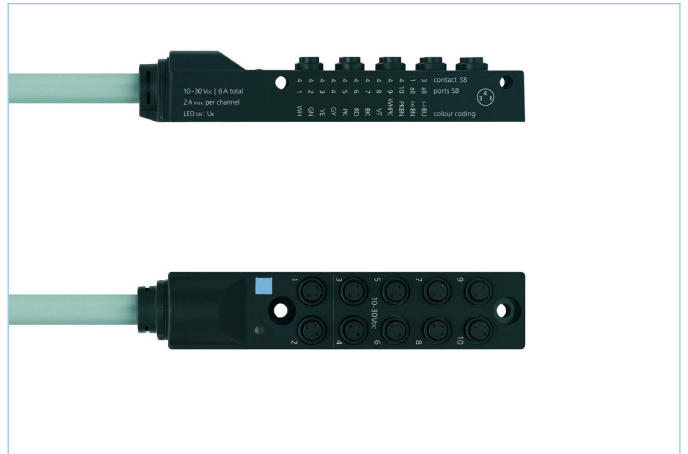
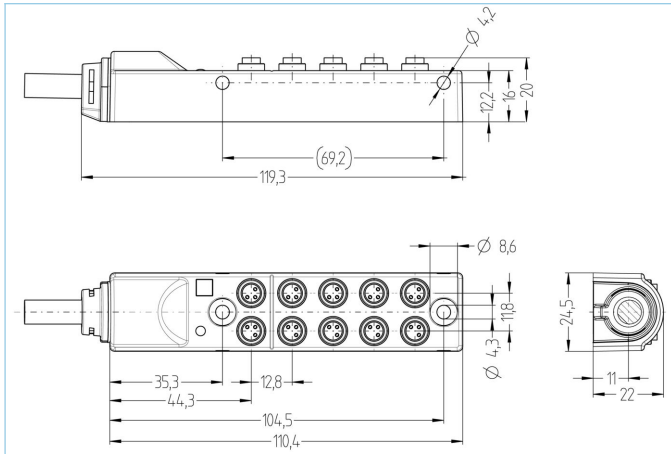


I/O-junctions passive, 10 ports, fixed cable connection, Ø8mm snap, female, 3 poles



Product data

| | |
|--------------------|--------------------|
| Item description | 10I/OS8-3P1C-5/P01 |
| Item-No. | 8062839 |
| Length | 5m |
| Customs tariff-No. | 85444290 |
| Step-File | 10I_OS8-3P1C-m.stp |
| EAN | 4047106149048 |

Technical data

| | |
|--------------------------------|--------------------------|
| I/O-junction | 10-way, with cable |
| I/O-slot | female, 8 mm snap |
| Number of pins | 3 |
| Rated voltage | 30V |
| Current load per pin (at 40°C) | 2A |
| Total current load | 6A |
| Insulation resistance | ≥10 ⁹ Ω |
| Resistance | ≤ 5mΩ |
| Ambient temperature product | -30°C...+90°C |
| Number of LEDs | 1 |
| Number of I/O-slots | 10 |
| Circuit logic | pnP |
| Signal status-indicator | LED YE |
| Operating voltage-indicator | LED GN |
| Contact material | Metal, CuZn, gold-plated |
| Contact-carrier material | Plastic, PA, BK |
| Sealing (female) material | FPM/FKM |
| Housing material | Plastic, PA, BK |

| | |
|--------------------------------|------------------------|
| Thread insert material | Metal, CuZn |
| Connecting type | Fixed cable connection |
| Standards | IEC 61076-2-104 |
| Degree of protection (mounted) | IP65, IP67 |
| Mechanical life-cycle | >100 mating cycles |
| Degree of pollution | 3 |

Cable web **PVC, UL, P01, GY**

PVC-cable for measurement and control-, and sensor technology. Suitable for applications in dry areas on packaging machines, assembly- and conveyor technology. High flexibility with unstressed movement (conditional drag-chain application possible). Predestined for applications in food- and beverage industry.

| | |
|------------------------------|--|
| Outer diameter of jacket | 7.6 mm |
| Cable-jacket material | PVC |
| Jacket color | GY, similar RAL7040 |
| Wire cross-section | 10 x 0.25 mm ² + 2 x 0.75 mm ² |
| Wire insulation material | PVC |
| Wire colors | WHPK, BK, BU, PK, WH, YE, GN, GY, PKBN, RD, BN, VT |
| Wire structure | 32 x 0.10 mm |
| Bending radius (fixed) | 5 x Ø-cable |
| Bending radius (repeated) | 10 x Ø-cable |
| Temperature range (repeated) | -5°C...+80°C |
| Temperature range (fixed) | -40°C...+80°C |
| Special features | good resistance against oils and chemicals, LABS free, ozone resistant, recyclable, RoHs compliant, acid- and alkali resistant, seawater resistant, UV resistant |

Allocation chart

| I/O | 1 | 2 | 3 | 4 | 5 | 6 | 7 | 8 | 9 | 10 | all (+) | all (-) |
|-------|----|----|----|----|----|----|----|----|------|------|---------|---------|
| Pin | 4 | 4 | 4 | 4 | 4 | 4 | 4 | 4 | 4 | 4 | 1 | 3 |
| Cable | WH | GN | YE | GY | PK | RD | BK | VT | WHPK | BNPK | BN | BU |

Classification

| | |
|------------|----------|
| eCl@ss 6.0 | 27279219 |
| eCl@ss 7.0 | 27279219 |
| eCl@ss 8.0 | 27279219 |
| eCl@ss 9.0 | 27440108 |
| ETIM 5.0 | EC002585 |
| ETIM 6.0 | EC002585 |

Link to product

<https://www.escha.net/en/products/standard/io-junctions/8062839>