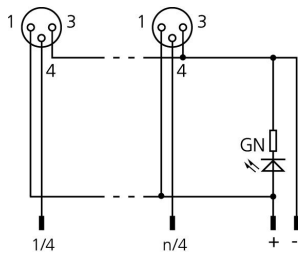
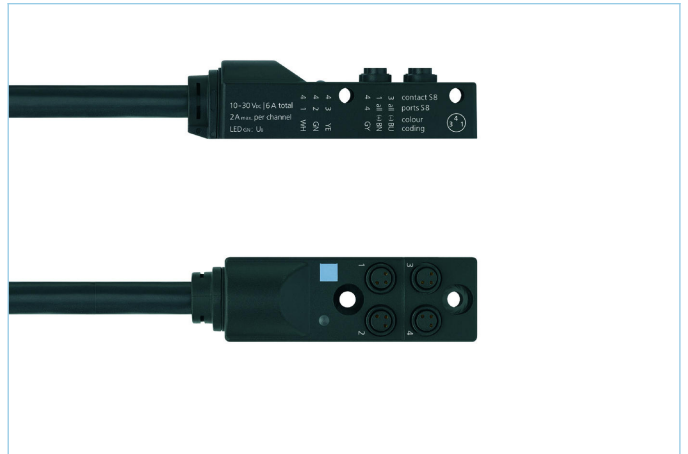
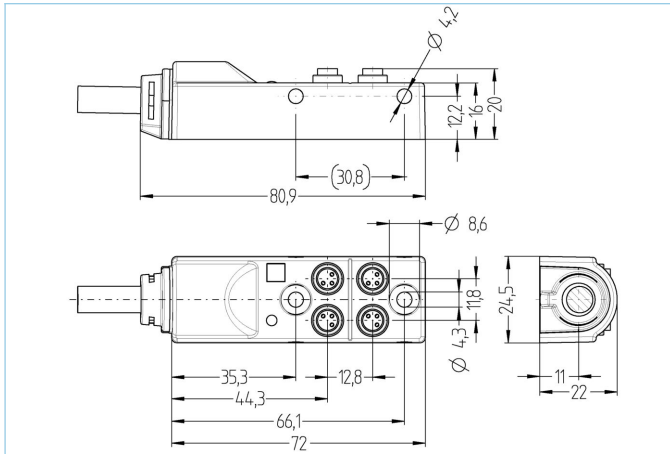


I/O-junctions passive, 4 ports, fixed cable connection, Ø8mm snap, female, 3 poles



Product data

| | |
|--------------------|-------------------|
| Item description | 4/OS8-3P1C-2/S370 |
| Item-No. | 8062789 |
| Length | 2m |
| Customs tariff-No. | 85444290 |
| Step-File | 4I_OS8-3P1C-m.stp |
| EAN | 4047106148829 |

Technical data

| | |
|--------------------------------|--------------------------|
| I/O-junction | 4-way, with cable |
| I/O-slot | female, 8 mm snap |
| Number of pins | 3 |
| Rated voltage | 30V |
| Current load per pin (at 40°C) | 2A |
| Total current load | 6A |
| Insulation resistance | ≥10 ⁹ Ω |
| Resistance | ≤ 5mΩ |
| Ambient temperature product | -30°C...+90°C |
| Number of LEDs | 1 |
| Number of I/O-slots | 4 |
| Circuit logic | pnp |
| Signal status-indicator | LED YE |
| Operating voltage-indicator | LED GN |
| Contact material | Metal, CuZn, gold-plated |
| Contact-carrier material | Plastic, PA, BK |
| Sealing (female) material | FPM/FKM |
| Housing material | Plastic, PA, BK |

| | |
|--------------------------------|------------------------|
| Thread insert material | Metal, CuZn |
| Connecting type | Fixed cable connection |
| Standards | IEC 61076-2-104 |
| Degree of protection (mounted) | IP65, IP67 |
| Mechanical life-cycle | >100 mating cycles |
| Degree of pollution | 3 |

| | |
|------------------|----------------------|
| Cable web | PUR, UL, S370 |
|------------------|----------------------|

Flexible, silicone- and halogen-free control line with high mechanical strength. The cable is chemicals, hydrolysis-, and microbes- resistant. The drag-chain application is possible at a bending radius of minimum 10 x d. Due to its weld-field immunity, the cable is very well suited for the flexible application in robotics, machine-tool, and metal-cutting production. The cables meet the UL and CSA (UL10493/20549; cULus) requirements.

| | |
|------------------------------|--|
| Outer diameter of jacket | 6.5 mm |
| Cable-jacket material | PUR |
| Jacket color | BK, similar RAL9005 |
| Wire cross-section | 4 x 0.25 mm ² + 2 x 0.75 mm ² |
| Wire insulation material | PP |
| Wire colors | GY, BN, YE, GN, WH, BU |
| Bending radius (repeated) | min. 10 x Ø-cable |
| Temperature range (repeated) | -25°C...+90°C |
| Temperature range (fixed) | -40°C...+90°C |
| Drag chain-application | ≥5 Mio. cycles |
| Halogen-free | Yes |
| Torsion | +/-180°/m, ≥ 0.5 Mio. cycles |
| Special features | flame retardant, halogen free, LABS free, RoHs compliant, drag chain-adapted |

Allocation chart

| I/O | 1 | 2 | 3 | 4 | all (+) | all (-) |
|-------|----|----|----|----|---------|---------|
| Pin | 4 | 4 | 4 | 4 | 1 | 3 |
| Cable | WH | GN | YE | GY | BN | BU |

Classification

| | |
|------------|----------|
| eCl@ss 6.0 | 27279219 |
| eCl@ss 7.0 | 27279219 |
| eCl@ss 8.0 | 27279219 |
| eCl@ss 9.0 | 27440108 |
| ETIM 5.0 | EC002585 |
| ETIM 6.0 | EC002585 |

Link to product

<https://www.escha.net/en/products/standard/0-junctions/8062789>