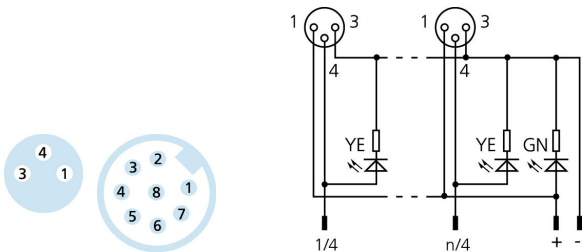
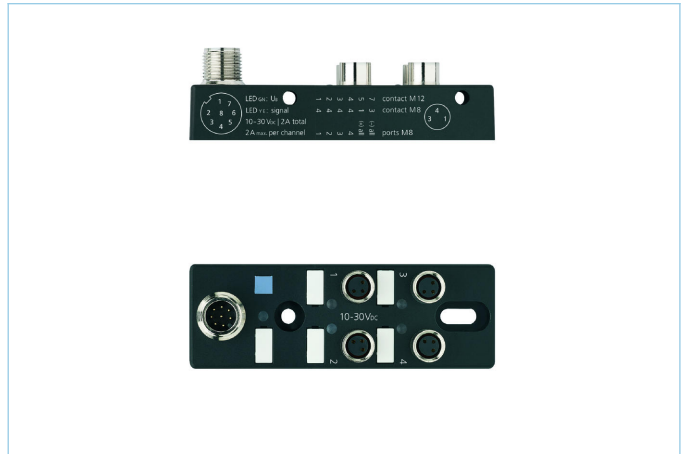
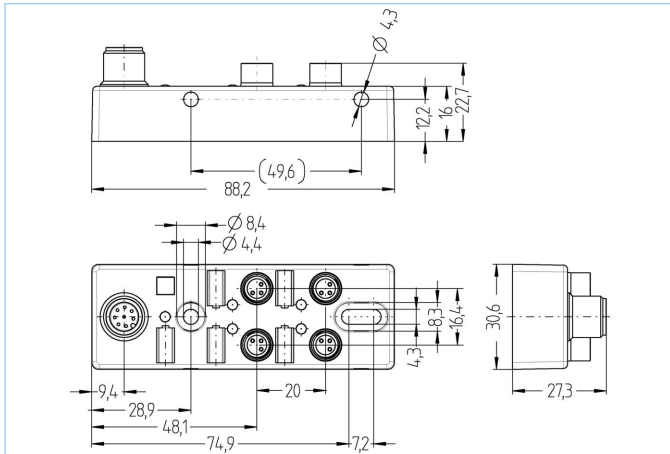


I/O-junctions passive, 4 ports, top contact, M8, female, 3 poles, M12, male, 8 poles



Product data	
Item description	4I/OM8-3P2T
Item-No.	8061747
Customs tariff-No.	85366990
Step-File	4IOM8-3P2T.stp
EAN	4047106148300
Remark	Labels (white) not included
Technical data	
I/O-junction	4-way, M12, with connecting plug
I/O-slot	female, M8
Number of pins	3
Rated voltage	30V
Current load per pin (at 40°C)	2A
Total current load	2A
Insulation resistance	≥10 ⁹ Ω
Resistance	≤ 5mΩ
Ambient temperature product	-30°C...+90°C
Number of LEDs	5
Number of I/O-slots	4
Circuit logic	pnp
Signal status-indicator	LED YE
Contact material	Metal, CuZn, gold-plated
Contact-carrier material	Plastic, PA, BK
Sealing (female) material	FPM/FKM
Housing material	Plastic, PA, BK

Thread insert material	Metal, CuZn
Connecting type	Top
Standards	IEC 61076-2-104
Degree of protection (mounted)	IP65, IP67
Mechanical life-cycle	>100 mating cycles
Connecting plug	M12, 8 poles
Sealing material, connecting-plug	Plastic, FPM/FKM
Receptacle housing material, connecting-plug	Metal, CuZn, nickel-plated
Contact material, connecting-plug	Metal, CuZn, gold-plated
Contact-carrier material, connecting-plug	Plastic, PA, BK
Mechanical life-cycle, connecting-plug	>100 mating cycles
Number of pins, connecting-plug	8
Degree of protection, connecting-plug (mounted)	IP65, IP67
Degree of pollution	3

Allocation chart

IO	1	2	3	4	all (+)	all (-)
Pin	4	4	4	4	1	3
M12	1	2	3	4	5	7
Cable Accessories	WH	BN	GN	YE	GY	BU

Classification

eCl@ss 6.0	27279219
eCl@ss 7.0	27279219
eCl@ss 8.0	27279219
eCl@ss 9.0	27440108
ETIM 5.0	EC002585
ETIM 6.0	EC002585

Accessories

Screw plug, M8

<https://www.escha.net/en/products/standard/accessories-for-connectivity/8081771>

Labels, I/O-junction passive, I/O-junction active

<https://www.escha.net/en/products/standard/accessories-for-connectivity/8011349>

Single-ended cordset, Automation Line, M12

<https://www.escha.net/en/products/standard/sensoractuator-connectors/8046904>

Single-ended cordset, Automation Line, M12

<https://www.escha.net/en/products/standard/sensoractuator-connectors/8046907>

Link to product

<https://www.escha.net/en/products/standard/io-junctions/8061747>