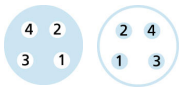
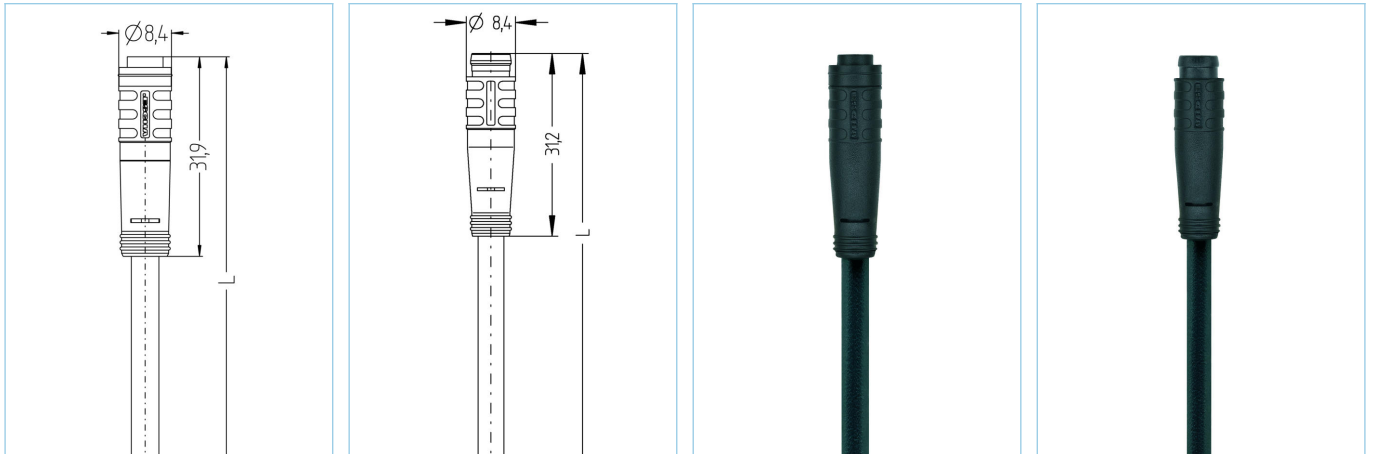


Ø8mm snap, female, straight, 4 poles, Ø8mm snap, male, straight, 4 poles, sensor-/actuator cable



| Product data       |                      |
|--------------------|----------------------|
| Item description   | AL-KP4-1-AL-SP4/S370 |
| Item-No.           | 8059299              |
| Length             | 1m                   |
| Customs tariff-No. | 85444290             |
| Step-File          | AL-KP4-L-AL-SP4.stp  |
| EAN                | 4047106167264        |

| Technical data                 | A-side                      | B-side                     |
|--------------------------------|-----------------------------|----------------------------|
| Connector                      | female, straight, Ø8mm snap | male, straight, Ø 8mm snap |
| Number of pins                 | 4                           | 4                          |
| Pin assignment                 | 1 BN, 2 WH, 3 BU, 4 BK      | 1 BN, 2WH, 3 BU, 4 BK      |
| Rated voltage                  | 60V                         | 60V                        |
| Current load (at 40°C)         | 4A                          | 4A                         |
| Insulation resistance          | $\geq 10^9 \Omega$          | $\geq 10^9 \Omega$         |
| Resistance                     | $\leq 5 m\Omega$            | $\leq 5 m\Omega$           |
| Ambient temperature product    | -30°C...+90°C               | -30°C...+90°C              |
| Contact material               | Metal, CuSn, gold-plated    | Metal, CuSn, gold-plated   |
| Contact-carrier material       | Plastic, TPU, BK            | Plastic, TPU, BK           |
| Grip body material             | Plastic, TPU, BK            | Plastic, TPU, BK           |
| Sealing (female) material      | FPM/FKM                     |                            |
| Standards                      | IEC 61076-2-104             | IEC 61076-2-104            |
| Degree of protection (mounted) | IP65, IP67, IP68            | IP65, IP67, IP68           |
| Mechanical life-cycle          | >100 mating cycles          | >100 mating cycles         |
| Degree of pollution            | 3                           | 3                          |

|                  |                      |
|------------------|----------------------|
| <b>Cable web</b> | <b>PUR, UL, S370</b> |
|------------------|----------------------|

Flexible, silicone- and halogen-free control line with high mechanical strength. The cable is chemicals, hydrolysis-, and microbes- resistant. The drag-chain application is possible at a bending radius of minimum 10 x d. Due to its weld-field immunity, the cable is very well suited for the flexible application in robotics, machine-tool, and metal-cutting production. The cables meet the UL and CSA (UL10493/20549; cULus) requirements.

|                                |  |
|--------------------------------|--|
| Outer diameter of jacket       | 4.30mm   |
| Cable-jacket material          | PUR  |
| Jacket color                   | BK, similar RAL9005  |
| Wire cross-section             | 4 x 0.25 mm <sup>2</sup>   |
| Wire insulation material       | PP   |
| Wire colors                    | BN, WH, BU, BK   |
| Wire structure                 | 32 x 0.10 mm   |
| Bending radius (fixed)         | 5 x Ø-cable  |
| Bending radius (repeated)      | 10 x Ø-cable   |
| Temperature range (repeated)   | -30°C...+90°C  |
| Temperature range (fixed)      | -40°C...+90°C  |
| Temperature range (drag chain) | -25°C...+60°C  |
| Drag chain-application         | 5 Mio. cycles  |
| Halogen-free                   | Yes  |
| Torsion                        | +/-360°/m, ≥ 2 Mio. cycles   |
| Rated voltage cable            | ≤300 V   |
| Special features               | flame retardant, halogen free, hydrolysis proof, LABS free, oil resistant, ozone resistant, recyclable, RoHs compliant, acid- and alkali resistant, drag chain-adapted, welding sparks resistant, seawater resistant, silicone free, torsion resistant, UV resistant |

|                       |
|-----------------------|
| <b>Classification</b> |
|-----------------------|

|            |          |
|------------|----------|
| eCl@ss 6.0 | 27279218 |
| eCl@ss 7.0 | 27279218 |
| eCl@ss 8.0 | 27279218 |
| eCl@ss 9.0 | 27060311 |
| ETIM 5.0   | EC001855 |
| ETIM 6.0   | EC001855 |

|                    |
|--------------------|
| <b>Accessories</b> |
|--------------------|

Mounting-clip, M12  
<https://www.escha.net/en/products/standard/accessories-for-connectivity/8047660>

Marking rings Ø 9mm  
<https://www.escha.net/en/products/standard/accessories-for-connectivity?p=1&o=3&n=15&f=809>

|                        |
|------------------------|
| <b>Link to product</b> |
|------------------------|

<https://www.escha.net/en/products/standard/sensoractuator-connectors/8059299>