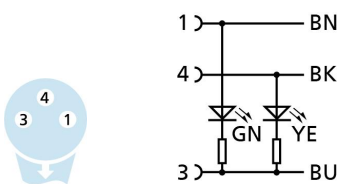
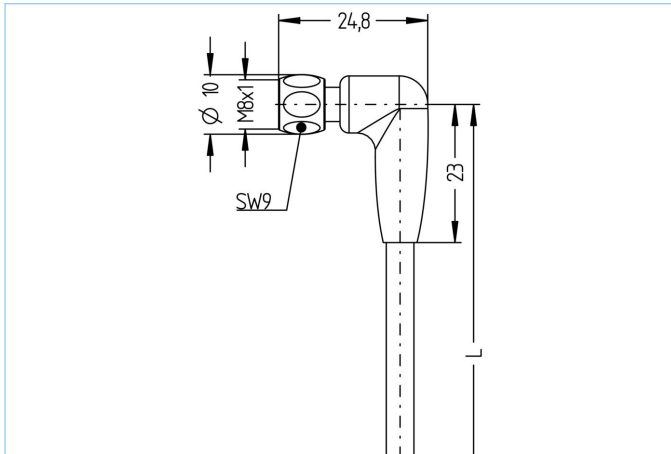


M8, female, angled, 3 poles, with LED, Food & Beverage



Product data

Item description	FB-SWKPH3P2-10/S3930
Item-No.	8058621
Length	10m
Customs tariff-No.	85444290
Step-File	FB-SWKPH3P2.stp
EAN	4047106142698

Technical data

Connector	female, angled, M8, with LED
Number of pins	3
Pin assignment	1 BN, 3 BU, 4 BK
Rated voltage	30V 30V (UL)
Current load per pin (at 40°C)	4A
Insulation resistance	≥10 ⁹ Ω
Ambient temperature product	-40°C...+105°C
Circuit logic	pnp
Signal status-indicator	LED YE
Operating voltage-indicator	LED GN
Contact material	Metal, CuZn, gold-plated
Contact-carrier material	Plastic, PP, GY
Grip body material	Plastic, TPE, transparent
Coupling nut material	Stainless steel, V4A
Sealing (female) material	EPDM
Standards	IEC 61076-2-104
Degree of protection (mounted)	IP65, IP67, IP68, IP69
Mechanical life-cycle	>100 mating cycles
Cable end assembly	open cable end
Degree of pollution	3
Style	angled

Cable web	TPE, UL, S3930, GY
------------------	---------------------------

TPE jacketed cable with elevated position-proof wires with an insulation of special polyester. Resistant to all common acidic- and alkaline cleaning- and disinfection agents. PVC-free plastics prevent discoloration and hardening by detergents. Predestined for applications in the food- and beverage industry. Due to the materials used, it is also suitable for applications in machine- and plant construction. High stability, good drag-chain- and torsion capability.

Outer diameter of jacket	4.60 mm
Cable-jacket material	TPE
Jacket color	GY, similar RAL7035
Wire cross-section	4 x 0.34 mm ²
Wire insulation material	TPE
Wire colors	BN, WH, BU, BK
Wire structure	42 x 0.10 mm
Bending radius (fixed)	5 x Ø-cable
Bending radius (repeated)	10 x Ø-cable
Temperature range (repeated)	-25°C...+105°C
Temperature range (fixed)	-40°C...+105°C
Temperature range (drag chain)	-25°C...+60°C
Halogen-free	Yes
Rated voltage cable	≤240 VAC
Special features	increased thermal load, halogen free, excellent acid- and alkali resistant, hydrolysis proof, LABS free, ozone resistant, recyclable, RoHs compliant, drag chain-adapted, seawater resistant, torsion resistant, verified resistance against P3-topactive, flexibility at low temperature

Classification	
-----------------------	--

eCl@ss 6.0	27279218
eCl@ss 7.0	27279218
eCl@ss 8.0	27279218
eCl@ss 9.0	27060311
ETIM 5.0	EC001855
ETIM 6.0	EC001855

Accessories	
--------------------	--

Mounting-set, M8	
-------------------------	--

<https://www.escha.net/en/products/standard/accessories-for-connectivity/8047663>

Torque-wrench set	
--------------------------	--

<https://www.escha.net/en/products/standard/accessories-for-connectivity/8055431>

Marking rings Ø 9mm	
----------------------------	--

<https://www.escha.net/en/products/standard/accessories-for-connectivity?p=1&o=3&n=15&f=809>

Cable Stripping Tool	
-----------------------------	--

<https://www.escha.net/en/products/standard/accessories-for-connectivity/8066216>

Cable Stripping Tool	
-----------------------------	--

<https://www.escha.net/en/products/standard/accessories-for-connectivity/8066215>

Link to product	
------------------------	--

<https://www.escha.net/en/products/standard/connectors-for-the-food-industry/8058621>