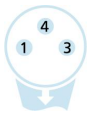
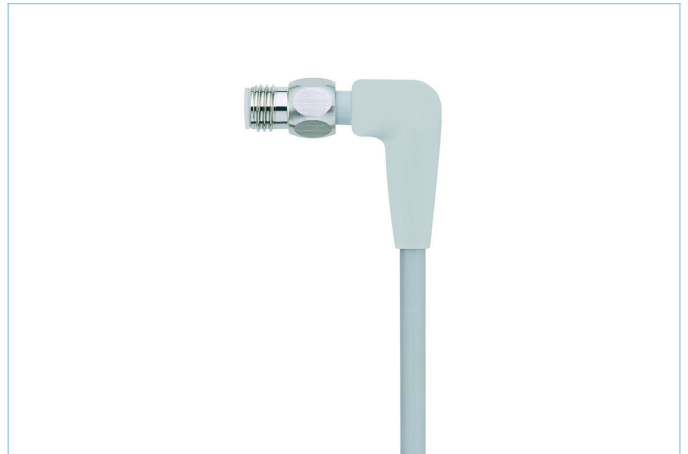
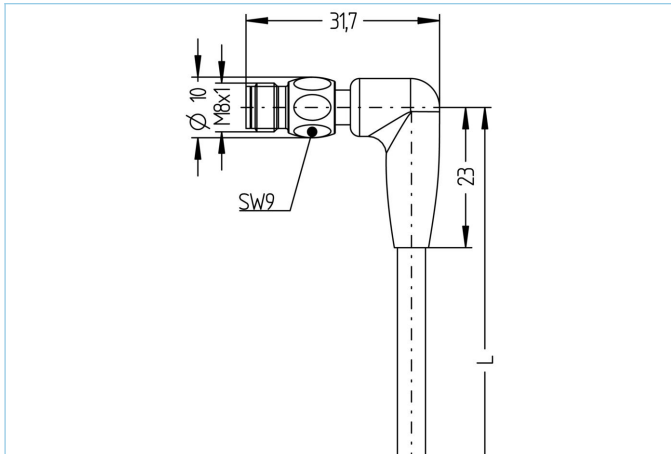


M8, male, angled, 3 poles, Food & Beverage



Product data

| | |
|--------------------|-------------------|
| Item description | FB-SWSPH3-5/S3930 |
| Item-No. | 8058583 |
| Length | 5m |
| Customs tariff-No. | 85444290 |
| Step-File | FB-SWSPH3.stp |
| EAN | 4047106142056 |

Technical data

| | |
|--------------------------------|--------------------------|
| Connector | male, angled, M8 |
| Number of pins | 3 |
| Pin assignment | 1 BN, 3 BU, 4 BK |
| Rated voltage | 60V 30V (UL) |
| Current load per pin (at 40°C) | 4A |
| Insulation resistance | $\geq 10^9 \Omega$ |
| Ambient temperature product | -40°C...+105°C |
| Contact material | Metal, CuZn, gold-plated |
| Contact-carrier material | Plastic, PP, GY |
| Grip body material | Plastic, PP, transparent |
| Coupling nut material | Stainless steel, V4A |
| Standards | IEC 61076-2-104 |
| Degree of protection (mounted) | IP65, IP67, IP68, IP69 |
| Mechanical life-cycle | >100 mating cycles |
| Cable end assembly | open cable end |
| Degree of pollution | 3 |
| Style | angled |

| | |
|------------------|---------------------------|
| Cable web | TPE, UL, S3930, GY |
|------------------|---------------------------|

TPE jacketed cable with elevated position-proof wires with an insulation of special polyester. Resistant to all common acidic- and alkaline cleaning- and disinfection agents. PVC-free plastics prevent discoloration and hardening by detergents. Predestined for applications in the food- and beverage industry. Due to the materials used, it is also suitable for applications in machine- and plant construction. High stability, good drag-chain- and torsion capability.

| | |
|--------------------------------|---|
| Outer diameter of jacket | 4.60 mm |
| Cable-jacket material | TPE |
| Jacket color | GY, similar RAL7035 |
| Wire cross-section | 4 x 0.34 mm ² |
| Wire insulation material | TPE |
| Wire colors | BN, WH, BU, BK |
| Wire structure | 42 x 0.10 mm |
| Bending radius (fixed) | 5 x Ø-cable |
| Bending radius (repeated) | 10 x Ø-cable |
| Temperature range (repeated) | -25°C...+105°C |
| Temperature range (fixed) | -40°C...+105°C |
| Temperature range (drag chain) | -25°C...+60°C |
| Halogen-free | Yes |
| Rated voltage cable | ≤240 VAC |
| Special features | increased thermal load, halogen free, excellent acid- and alkali resistant, hydrolysis proof, LABS free, ozone resistant, recyclable, RoHs compliant, drag chain-adapted, seawater resistant, torsion resistant, verified resistance against P3-topactive, flexibility at low temperature |

Classification

| | |
|------------|----------|
| eCl@ss 6.0 | 27279218 |
| eCl@ss 7.0 | 27279218 |
| eCl@ss 8.0 | 27279218 |
| eCl@ss 9.0 | 27060311 |
| ETIM 5.0 | EC001855 |
| ETIM 6.0 | EC001855 |

Accessories

Mounting-set, M8

<https://www.escha.net/en/products/standard/accessories-for-connectivity/8047663>

Torque-wrench set

<https://www.escha.net/en/products/standard/accessories-for-connectivity/8055431>

Marking rings Ø 9mm

<https://www.escha.net/en/products/standard/accessories-for-connectivity?p=1&o=3&n=15&f=809>

Cable Stripping Tool

<https://www.escha.net/en/products/standard/accessories-for-connectivity/8066216>

Cable Stripping Tool

<https://www.escha.net/en/products/standard/accessories-for-connectivity/8066215>

Link to product

<https://www.escha.net/en/products/standard/connectors-for-the-food-industry/8058583>