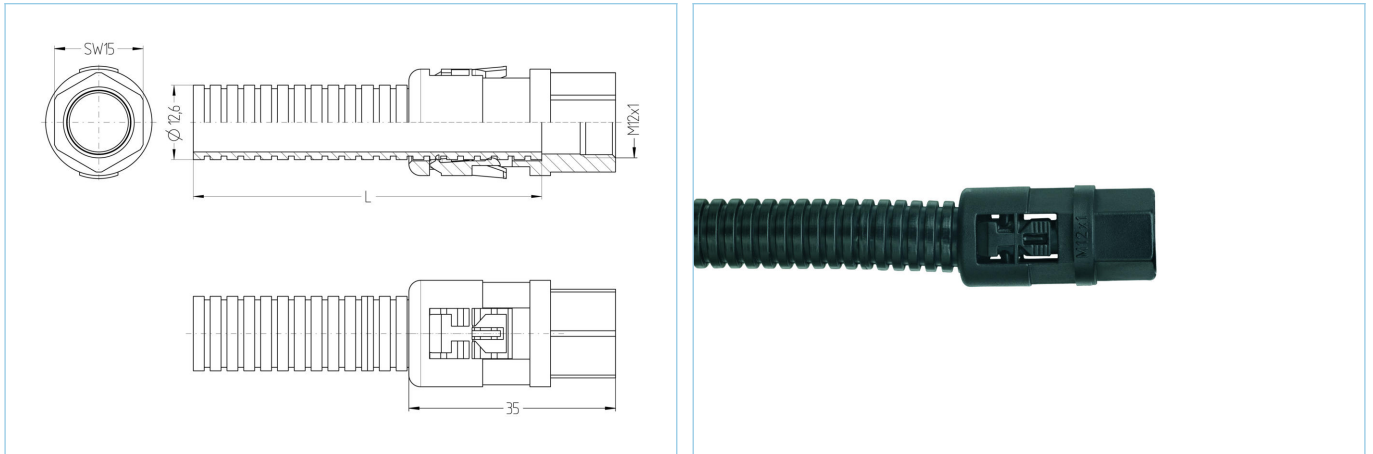


## Adapter unit, M12, with protective hose 2m, black



### Product data

Item description	Adapterstück M12x1 mit 2m Schutzschlauch
Item-No.	8055809
Length	2m
Customs tariff-No.	39269097
Packaging unit	1
EAN	4047106158385

### Technical data

Color	BK, similar RAL9005
-------	---------------------

### Classification

eCl@ss 7.0	27439201
eCl@ss 8.0	27439201
eCl@ss 9.0	27430308
ETIM 5.0	EC001469
ETIM 6.0	EC001469