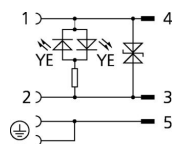
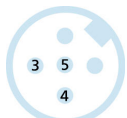
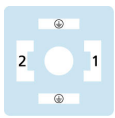
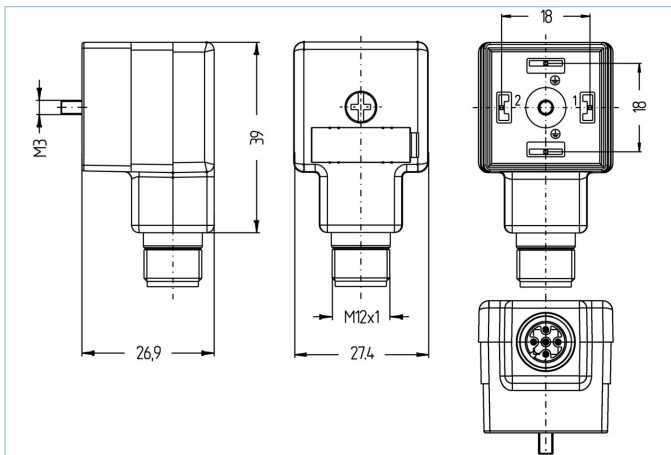


Adapter, Valve connector, housing style A, 2+PE bridged, M12, male, straight, 5 poles



Product data

Item description	VA22-24.3-WAS5.002
Item-No.	8055768
Customs tariff-No.	85366990
Step-File	VA22-WAS5.stp
EAN	4047106140953

Technical data

Connector	male, angled, Valve A
Number of pins	2+PE, PE bridged
Rated voltage	24V _{AC/DC}
Current load per pin (at 40°C)	4A
Insulation resistance	≥10 ⁸ Ω
Ambient temperature product	-30°C...+90°C
Signal status-indicator	LED YE
Contact material	Metal, CuSn, silver-plated
Contact-carrier material	Plastic, PA, BK
Grip body material	Plastic, TPU, BK, translucent
Sealing (female) material	Plastic, TPU
Protection circuit	Suppressor diode
Fixing screw	Metal, CuZn, nickel-plated
Housing style	A

Standards	DIN EN 175301-803
Degree of protection (mounted)	IP65, IP67, IP68
Mechanical life-cycle	>100 mating cycles
Connecting plug	M12, 5 poles
Coding, connecting plug	A
Contact material, connecting-plug	Metal, CuZn, gold-plated
Contact-carrier material, connecting-plug	Plastic, PA, BK
Mechanical life-cycle, connecting-plug	>100 mating cycles
Number of pins, connecting-plug	5
Degree of protection, connecting-plug (mounted)	IP67, IP69
Degree of pollution	3
Style	angled

Classification

eCl@ss 6.0	27279201
eCl@ss 7.0	27279201
eCl@ss 8.0	27279201
eCl@ss 9.0	27440106
ETIM 5.0	EC002062
ETIM 6.0	EC002925

Link to product

<https://www.escha.net/en/products/standard/valve-connectors/8055768>