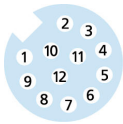
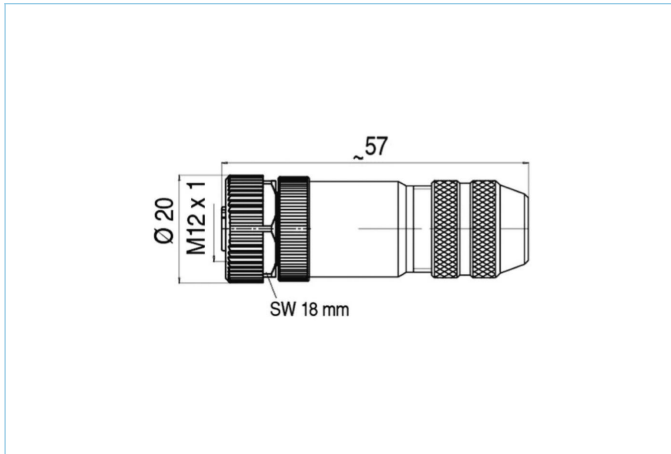
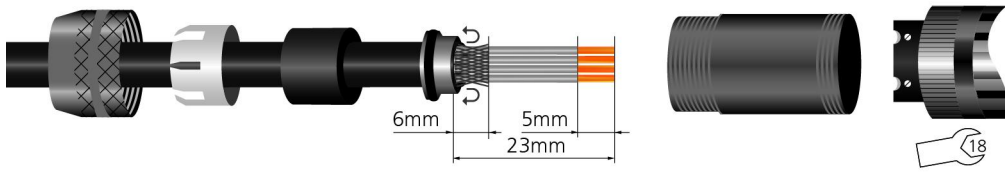


Field-wireable, M12, female, straight, 12 poles, soldering contact, shielded, 30V 2A



| Product data                   |                              |
|--------------------------------|------------------------------|
| Item description               | WAKCS12L                     |
| Item-No.                       | 8052220                      |
| Customs tariff-No.             | 85366990                     |
| Step-File                      | WAKCS12L.stp                 |
| EAN                            | 4047106115890                |
| Technical data                 |                              |
| Connector                      | female, straight, M12        |
| Number of pins                 | 12                           |
| Coding                         | A                            |
| Rated voltage                  | 30V                          |
| Current load per pin (at 40°C) | 2A                           |
| Insulation resistance          | ≥10 <sup>9</sup> Ω           |
| Resistance                     | ≤ 3mΩ                        |
| Ambient temperature product    | -40°C...+85°C                |
| Contact material               | Metal, CuSn, gold-plated     |
| Contact-carrier material       | Plastic, PA, BK              |
| Grip body material             | Zinc die-cast, nickel-plated |
| Coupling nut material          | Metal, GD-ZN, nickel-plated  |
| Shielding                      | with shielding               |
| Connecting cross-section       | max. 0.25 mm <sup>2</sup>    |
| Cable outlet                   | 6...8 mm                     |
| Connecting type                | Soldering contact            |
| Standards                      | IEC 61076-2-101              |
| Degree of protection (mounted) | IP67                         |
| Mechanical life-cycle          | >100 mating cycles           |
| Degree of pollution            | 3                            |
| Style                          | straight                     |

**Manual**



**Classification**

|            |          |
|------------|----------|
| eCl@ss 6.0 | 27260702 |
| eCl@ss 7.0 | 27440102 |
| eCl@ss 8.0 | 27440102 |
| eCl@ss 9.0 | 27440102 |
| ETIM 5.0   | EC002635 |
| ETIM 6.0   | EC002635 |

**Link to product**

<https://www.escha.net/en/products/standard/field-wireable-connectors/8052220>