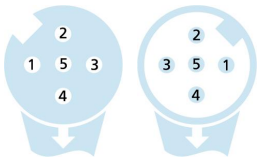
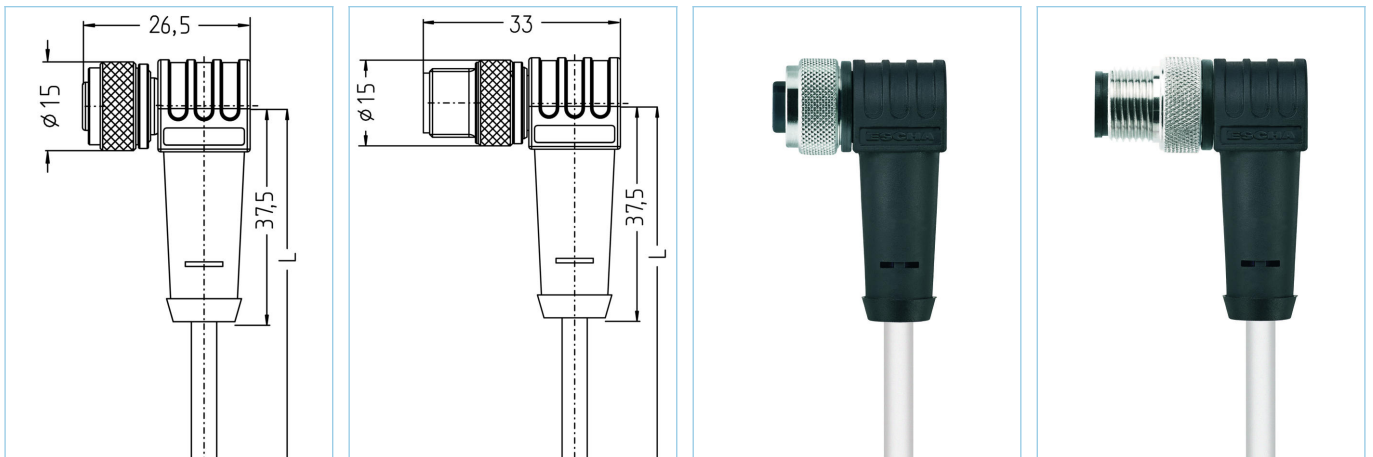


M12, female, angled, 5 poles, M12, male, angled, 5 poles, sensor-/actuator cable, high-temperature



Product data

| | |
|--------------------|-------------------------------|
| Item description | HT-WWAK4.5-1-HT-WWAS4.5/S2430 |
| Item-No. | 8051959 |
| Length | 1m |
| Customs tariff-No. | 85444290 |
| Step-File | HT-WWAK4_5-HT-WWAS4_5.stp |
| EAN | 4047106093068 |

Technical data

| | A-side | B-side |
|--------------------------------|------------------------------|------------------------------|
| Connector | female, angled, M12 | male, angled, M12 |
| Number of pins | 5 | 5 |
| Pin assignment | 1 BN, 2 WH, 3 BU, 4 BK, 5 GY | 1 BN, 2 WH, 3 BU, 4 BK, 5 GY |
| Coding of | A | A |
| Rated voltage | 60V | 60V |
| Current load (at 40°C) | 4A | 4A |
| Insulation resistance | $\geq 10^8 \Omega$ | $\geq 10^8 \Omega$ |
| Ambient temperature product | -20°C...+150°C | -20°C...+150°C |
| Contact material | Metal, CuZn, gold-plated | Metal, CuZn, gold-plated |
| Contact-carrier material | Plastic, PBT GF, BK | Plastic, PBT GF, BK |
| Grip body material | Plastic, PBT GF, BK | Plastic, PBT GF, BK |
| Coupling nut material | Metal, CuZn, nickel-plated | Metal, CuZn, nickel-plated |
| Sealing (female) material | FPM/FKM | |
| Standards | IEC 61076-2-101 | IEC 61076-2-101 |
| Degree of protection (mounted) | IP65 | IP65 |
| Mechanical life-cycle | >100 mating cycles | >100 mating cycles |
| Degree of pollution | 3 | 3 |

Cable web PTFE, S2430, high temp

The thermal resistance of this high-temperature cable extends from -190°C to +260°C. In addition, it stands out through a very good chemical strength, as well as its ozone- and weather resistance.

| | |
|---------------------------|---|
| Outer diameter of jacket | 3.80 mm |
| Cable-jacket material | PTFE |
| Jacket color | WH, similar RAL9003 |
| Wire cross-section | 5 x AWG22 |
| Wire insulation material | PTFE |
| Wire colors | BN, WH, BU, BK, GY |
| Wire structure | 7 x 0.254 mm |
| Bending radius (fixed) | 5 x Ø-cable |
| Bending radius (repeated) | 10 x Ø-cable |
| Temperature range (fixed) | -190°C...+260°C |
| Rated voltage cable | ≤250 V |
| Special features | low emission of smoke, excellent chemicals resistance, hydrolysis proof, LABS free, non-flammable, ozone resistant, RoHs compliant, seawater resistant, UV resistant, flexibility at low temperature, flexible at high temperatures |

Classification

| | |
|------------|----------|
| eCl@ss 6.0 | 27279218 |
| eCl@ss 7.0 | 27279218 |
| eCl@ss 8.0 | 27279218 |
| eCl@ss 9.0 | 27060311 |
| ETIM 5.0 | EC001855 |
| ETIM 6.0 | EC001855 |

Accessories

Mounting-set, M12
<https://www.escha.net/en/products/standard/accessories-for-connectivity/8047664>

Torque-wrench set
<https://www.escha.net/en/products/standard/accessories-for-connectivity/8055431>

Marking rings Ø 9mm
<https://www.escha.net/en/products/standard/accessories-for-connectivity?p=1&o=3&n=15&f=809>

Link to product

<https://www.escha.net/en/products/standard/sensoractuator-connectors/8051959>