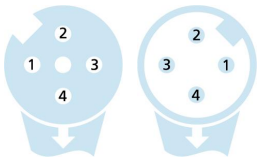
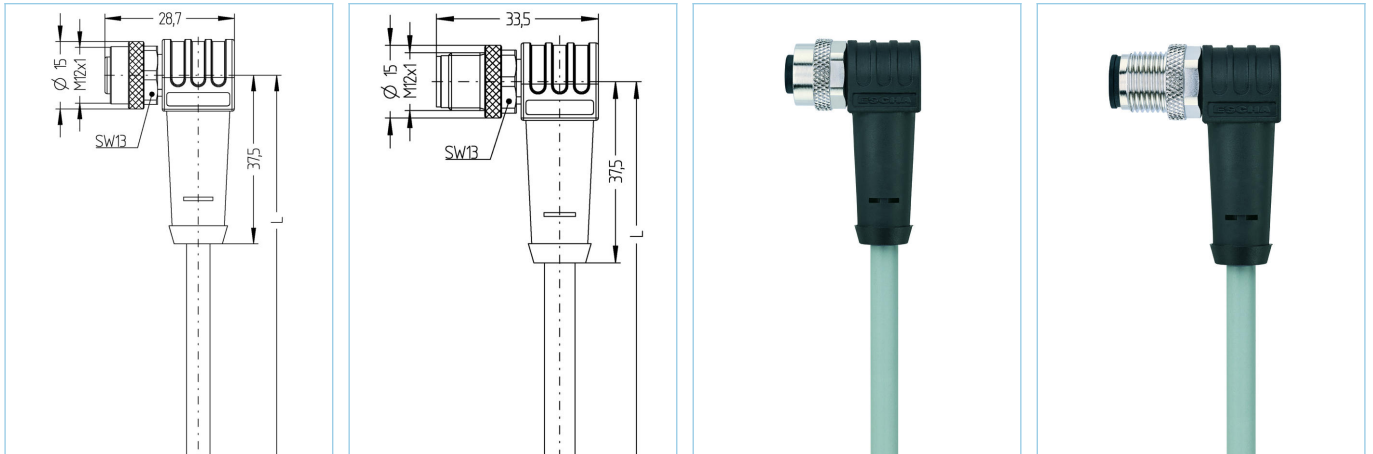


M12, female, angled, 4 poles, M12, male, angled, 4 poles, shielded, sensor-/actuator cable



Product data

| | |
|--------------------|---------------------------|
| Item description | AL-WWAKS4-5-AL-WWASS4/P00 |
| Item-No. | 8051599 |
| Length | 5m |
| Customs tariff-No. | 85444290 |
| Step-File | AL-WWAKS4_AL-WWASS4.stp |
| EAN | 4047106027919 |

Technical data

| | A-side | B-side |
|--------------------------------|----------------------------|----------------------------|
| Connector | female, angled, M12 | male, angled, M12 |
| Number of pins | 4 | 4 |
| Pin assignment | 1 BN, 2 WH, 3 BU, 4 BK | 1 BN, 2 WH, 3 BU, 4 BK |
| Coding of | A | A |
| Rated voltage | 250V | 250V |
| Current load (at 40°C) | 4A | 4A |
| Insulation resistance | $\geq 10^9 \Omega$ | $\geq 10^9 \Omega$ |
| Resistance | $\leq 5m\Omega$ | $\leq 5m\Omega$ |
| Ambient temperature product | -30°C...+90°C | -30°C...+90°C |
| Contact material | Metal, CuSn, gold-plated | Metal, CuSn, gold-plated |
| Contact-carrier material | Plastic, TPU, BK | Plastic, TPU, BK |
| Grip body material | Plastic, TPU, BK | Plastic, TPU, BK |
| Coupling nut material | Metal, CuZn, nickel-plated | Metal, CuZn, nickel-plated |
| Sealing (female) material | FPM/FKM | |
| Shielding | with shielding | with shielding |
| Standards | IEC 61076-2-101 | IEC 61076-2-101 |
| Degree of protection (mounted) | IP65, IP67, IP68 | IP65, IP67, IP68 |
| Mechanical life-cycle | >100 mating cycles | >100 mating cycles |
| Degree of pollution | 3 | 3 |

| | |
|------------------|---------------------|
| Cable web | PVC, P00, GY |
|------------------|---------------------|

PVC-cable for measurement and control-, and sensor technology. Suitable for applications in dry areas on packaging machines, assembly- and conveyor technology. High flexibility with unstressed movement (conditional drag-chain application possible). Predestined for applications in food- and beverage industry. Very good EMC-features with shielded versions.

| | |
|------------------------------|---|
| Outer diameter of jacket | 5.10 mm |
| Cable-jacket material | PVC |
| Jacket color | GY, similar RAL7040 |
| Wire cross-section | 4 x 0.34 mm ² |
| Wire insulation material | PVC |
| Wire colors | BN, WH, BU, BK |
| Wire structure | 19 x 0.15 mm |
| Bending radius (fixed) | 5 x Ø-cable |
| Bending radius (repeated) | 10 x Ø-cable |
| Temperature range (repeated) | 0°C...+80°C |
| Temperature range (fixed) | -25°C...+80°C |
| Shielding | Yes |
| Rated voltage cable | ≤300 V |
| Special features | good resistance against oils and chemicals, hydrolysis proof, LABS free, ozone resistant, recyclable, RoHs compliant, acid- and alkali resistant, sea-water resistant, UV resistant |

| | |
|-----------------------|--|
| Classification | |
|-----------------------|--|

| | |
|------------|----------|
| eCl@ss 6.0 | 27279218 |
| eCl@ss 7.0 | 27279218 |
| eCl@ss 8.0 | 27279218 |
| eCl@ss 9.0 | 27060311 |
| ETIM 5.0 | EC001855 |
| ETIM 6.0 | EC001855 |

| |
|--------------------|
| Accessories |
|--------------------|

| |
|--|
| Mounting-clip, M12 https://www.escha.net/en/products/standard/accessories-for-connectivity/8047660 |
| Torque-wrench set https://www.escha.net/en/products/standard/accessories-for-connectivity/8055431 |
| Marking rings Ø 9mm https://www.escha.net/en/products/standard/accessories-for-connectivity?p=1&o=3&n=15&f=809 |
| Screw plug, M12 https://www.escha.net/en/products/standard/accessories-for-connectivity?p=1&o=3&n=15&f=812 |
| Screw cap, M12 https://www.escha.net/en/products/standard/accessories-for-connectivity?p=1&o=3&n=15&f=811 |

| |
|------------------------|
| Link to product |
|------------------------|

<https://www.escha.net/en/products/standard/sensoractuator-connectors/8051599>