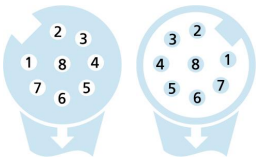
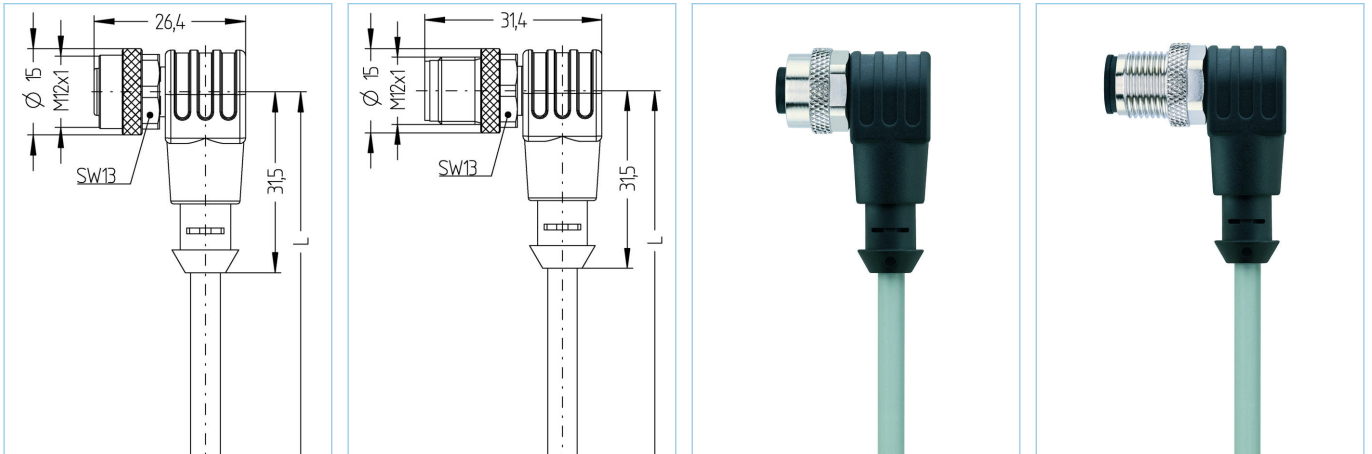


M12, female, angled, 8 poles, M12, male, angled, 8 poles, sensor-/actuator cable



**Product data**

|                    |                         |
|--------------------|-------------------------|
| Item description   | AL-WWAK8-5-AL-WWAS8/P00 |
| Item-No.           | 8051512                 |
| Length             | 5m                      |
| Customs tariff-No. | 85444290                |
| Step-File          | AL-WWAK8_AL-WWAS8.stp   |
| EAN                | 4047106022174           |

**Technical data**

|                                | A-side   | B-side   |
|--------------------------------|--|--|
| Connector                      | female, angled, M12                            | male, angled, M12                              |
| Number of pins                 | 8  | 8  |
| Pin assignment                 | 1 WH, 2 BN, 3 GN, 4 YE, 5 GY, 6 PK, 7 BU, 8 RD | 1 WH, 2 BN, 3 GN, 4 YE, 5 GY, 6 PK, 7 BU, 8 RD |
| Coding of                      | A  | A  |
| Rated voltage                  | 30V  | 30V  |
| Current load (at 40°C)         | 2A   | 2A   |
| Insulation resistance          | $\geq 10^9 \Omega$                             | $\geq 10^9 \Omega$                             |
| Resistance                     | $\leq 5m\Omega$                                | $\leq 5m\Omega$                                |
| Ambient temperature product    | -30°C...+90°C                                  | -30°C...+90°C                                  |
| Contact material               | Metal, CuZn, gold-plated                       | Metal, CuZn, gold-plated                       |
| Contact-carrier material       | Plastic, TPU, BK                               | Plastic, TPU, BK                               |
| Grip body material             | Plastic, TPU, BK                               | Plastic, TPU, BK                               |
| Coupling nut material          | Metal, CuZn, nickel-plated                     | Metal, CuZn, nickel-plated                     |
| Sealing (female) material      | FPM/FKM  |  |
| Standards                      | IEC 61076-2-101                                | IEC 61076-2-101                                |
| Degree of protection (mounted) | IP65, IP67, IP68                               | IP65, IP67, IP68                               |
| Mechanical life-cycle          | >100 mating cycles                             | >100 mating cycles                             |
| Degree of pollution            | 3  | 3  |

**Cable web** PVC, P00, GY

PVC-cable for measurement and control-, and sensor technology. Suitable for applications in dry areas on packaging machines, assembly- and conveyor technology. High flexibility with unstressed movement (conditional drag-chain application possible). Predestined for applications in food- and beverage industry.

|                              |  |
|------------------------------|--|
| Outer diameter of jacket     | 5.70 mm  |
| Cable-jacket material        | PVC  |
| Jacket color                 | GY, similar RAL7040  |
| Wire cross-section           | 8 x 0.25 mm <sup>2</sup>   |
| Wire insulation material     | PVC  |
| Wire colors                  | WH, BN, GN, YE, GY, PK, BU, RD   |
| Wire structure               | 14 x 0.15 mm   |
| Bending radius (fixed)       | 5 x Ø-cable  |
| Bending radius (repeated)    | 10 x Ø-cable   |
| Temperature range (repeated) | 0°C...+80°C  |
| Temperature range (fixed)    | -25°C...+80°C  |
| Rated voltage cable          | ≤300 V   |
| Special features             | good resistance against oils and chemicals, LABS free, ozone resistant, recyclable, RoHs compliant, acid- and alkali resistant, seawater resistant, UV resistant |

**Classification**

|            |          |
|------------|----------|
| eCl@ss 6.0 | 27279218 |
| eCl@ss 7.0 | 27279218 |
| eCl@ss 8.0 | 27279218 |
| eCl@ss 9.0 | 27060311 |
| ETIM 5.0   | EC001855 |
| ETIM 6.0   | EC001855 |

**Accessories**
**Mounting-clip, M12**

<https://www.escha.net/en/products/standard/accessories-for-connectivity/8047660>

**Torque-wrench set**

<https://www.escha.net/en/products/standard/accessories-for-connectivity/8055431>

**Marking rings Ø 9mm**

<https://www.escha.net/en/products/standard/accessories-for-connectivity?p=1&o=3&n=15&f=809>

**Screw plug, M12**

<https://www.escha.net/en/products/standard/accessories-for-connectivity?p=1&o=3&n=15&f=812>

**Screw cap, M12**

<https://www.escha.net/en/products/standard/accessories-for-connectivity?p=1&o=3&n=15&f=811>

**Link to product**

<https://www.escha.net/en/products/standard/sensoractuator-connectors/8051512>