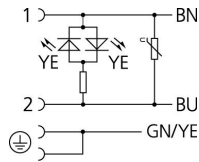
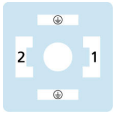
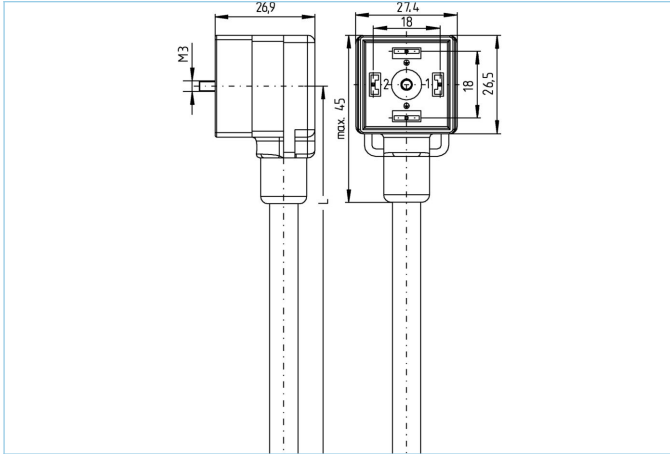


Valve connector, housing style A, 2+PE bridged, varistor, sensor-/actuator cable



Product data

| | |
|--------------------|-------------------|
| Item description | VA22-230.5-2/S370 |
| Item-No. | 8050755 |
| Length | 2m |
| Customs tariff-No. | 85444290 |
| Step-File | VA22.stp |
| EAN | 4047106010652 |

Technical data

| | |
|--------------------------------|-------------------------------|
| Connector | female, angled, Valve A |
| Number of pins | 2+PE, PE bridged |
| Pin assignment | 1 BN, 2 BU, PE: GNYE |
| Rated voltage | 230V _{AC/DC} |
| Current load per pin (at 40°C) | 4A |
| Insulation resistance | ≥10 ⁹ Ω |
| Ambient temperature product | -30°C...+90°C |
| Signal status-indicator | LED YE |
| Contact material | Metal, CuZn, silver-plated |
| Contact-carrier material | Plastic, PA, BK |
| Grip body material | Plastic, TPU, BK, translucent |
| Sealing (female) material | Plastic, TPU |
| Protection circuit | Varistor |
| Fixing screw | Metal, CuZn, nickel-plated |
| Housing style | A |
| Standards | DIN EN 175301-803 |
| Degree of protection (mounted) | IP65, IP67, IP68 |
| Mechanical life-cycle | >100 mating cycles |
| Degree of pollution | 3 |
| Style | angled |

| | |
|------------------|----------------------|
| Cable web | PUR, UL, S370 |
|------------------|----------------------|

Flexible, silicone- and halogen-free control line with high mechanical strength. The cable is chemicals, hydrolysis-, and microbes- resistant. The drag-chain application is possible at a bending radius of minimum 10 x d. Due to its weld-field immunity, the cable is very well suited for the flexible application in robotics, machine-tool, and metal-cutting production. The cables meet the UL and CSA (UL10493/20549; cULus) requirements.

| | |
|--------------------------------|--|
| Outer diameter of jacket | 5.7 +/- 0.2 mm |
| Cable-jacket material | PUR |
| Jacket color | BK, similar RAL9005 |
| Wire cross-section | 3 x 0.75 mm ² |
| Wire insulation material | PP |
| Wire colors | BN, BU, GNYE |
| Wire structure | 42 x 0,15 mm |
| Bending radius (fixed) | 5 x Ø-cable |
| Bending radius (repeated) | 10 x Ø-cable |
| Temperature range (repeated) | -30°C...+90°C |
| Temperature range (fixed) | -40°C...+90°C |
| Temperature range (drag chain) | -25°C...+60°C |
| Drag chain-application | 2 Mio. cycles |
| Halogen-free | Yes |
| Torsion | +/-180°/m, < 1 Mio. cycles |
| Rated voltage cable | ≤300 V |
| Special features | flame retardant, halogen free, hydrolysis proof, LABS free, oil resistant, ozone resistant, recyclable, RoHs compliant, acid- and alkali resistant, drag chain-adapted, welding sparks resistant, seawater resistant, silicone free, torsion resistant, UV resistant |

| |
|-----------------------|
| Classification |
|-----------------------|

| | |
|------------|----------|
| eCl@ss 6.0 | 27279218 |
| eCl@ss 7.0 | 27279218 |
| eCl@ss 8.0 | 27279218 |
| eCl@ss 9.0 | 27060312 |
| ETIM 5.0 | EC001855 |
| ETIM 6.0 | EC001855 |

| |
|--------------------|
| Accessories |
|--------------------|

Labels, Valve connector
<https://www.escha.net/en/products/standard/accessories-for-connectivity/8047110>

Fixing screw
<https://www.escha.net/en/products/standard/accessories-for-connectivity/8060907>

| |
|------------------------|
| Link to product |
|------------------------|

<https://www.escha.net/en/products/standard/valve-connectors/8050755>