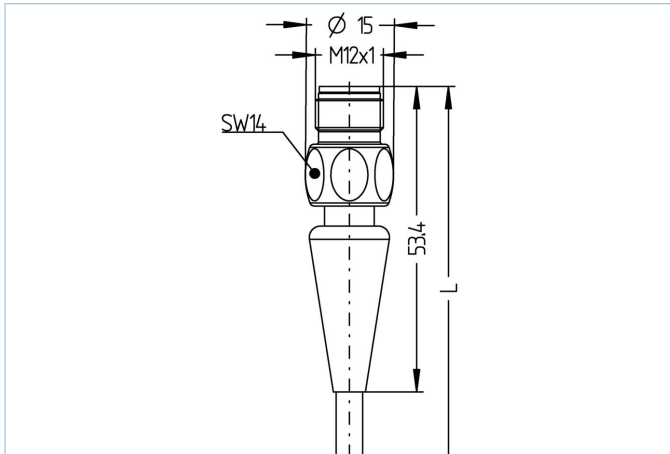


## M12, male, straight, 3 poles, Food & Beverage



### Product data

|                    |                  |
|--------------------|------------------|
| Item description   | FB-WASH3-2/S3930 |
| Item-No.           | 8050468          |
| Length             | 2m               |
| Customs tariff-No. | 85444290         |
| Step-File          | FB-WASH3.stp     |
| EAN                | 4047106010294    |

### Technical data

|                                |                          |
|--------------------------------|--------------------------|
| Connector                      | male, straight, M12      |
| Number of pins                 | 3                        |
| Pin assignment                 | 1 BN, 3 BU, 4 BK         |
| Coding                         | A                        |
| Rated voltage                  | 250V   30V (UL)          |
| Current load per pin (at 40°C) | 4A                       |
| Insulation resistance          | $\geq 10^9 \Omega$       |
| Resistance                     | $\leq 5 m\Omega$         |
| Ambient temperature product    | -40°C...+105°C           |
| Contact material               | Metal, CuZn, gold-plated |
| Contact-carrier material       | Plastic, PP, GY          |
| Grip body material             | Plastic, TPE, GY         |
| Coupling nut material          | Stainless steel, V4A     |
| Standards                      | IEC 61076-2-101          |
| Degree of protection (mounted) | IP65, IP67, IP68, IP69   |
| Mechanical life-cycle          | >100 mating cycles       |
| Cable end assembly             | open cable end           |
| Degree of pollution            | 3                        |
| Style                          | straight                 |

|                  |                           |
|------------------|---------------------------|
| <b>Cable web</b> | <b>TPE, UL, S3930, GY</b> |
|------------------|---------------------------|

TPE jacketed cable with elevated position-proof wires with an insulation of special polyester. Resistant to all common acidic- and alkaline cleaning- and disinfection agents. PVC-free plastics prevent discoloration and hardening by detergents. Predestined for applications in the food- and beverage industry. Due to the materials used, it is also suitable for applications in machine- and plant construction. High stability, good drag-chain- and torsion capability.

|                                |   |
|--------------------------------|---|
| Outer diameter of jacket       | 4.60 mm   |
| Cable-jacket material          | TPE   |
| Jacket color                   | GY, similar RAL7035   |
| Wire cross-section             | 4 x 0.34 mm <sup>2</sup>  |
| Wire insulation material       | TPE   |
| Wire colors                    | BN, WH, BU, BK  |
| Wire structure                 | 42 x 0.10 mm  |
| Bending radius (fixed)         | 5 x Ø-cable   |
| Bending radius (repeated)      | 10 x Ø-cable  |
| Temperature range (repeated)   | -25°C...+105°C  |
| Temperature range (fixed)      | -40°C...+105°C  |
| Temperature range (drag chain) | -25°C...+60°C   |
| Halogen-free                   | Yes   |
| Rated voltage cable            | ≤240 VAC  |
| Special features               | increased thermal load, halogen free, excellent acid- and alkali resistant, hydrolysis proof, LABS free, ozone resistant, recyclable, RoHs compliant, drag chain-adapted, seawater resistant, torsion resistant, verified resistance against P3-topactive, flexibility at low temperature |

|                       |  |
|-----------------------|--|
| <b>Classification</b> |  |
|-----------------------|--|

|            |          |
|------------|----------|
| eCl@ss 6.0 | 27279218 |
| eCl@ss 7.0 | 27279218 |
| eCl@ss 8.0 | 27279218 |
| eCl@ss 9.0 | 27060311 |
| ETIM 5.0   | EC001855 |
| ETIM 6.0   | EC001855 |

|                    |  |
|--------------------|--|
| <b>Accessories</b> |  |
|--------------------|--|

|  |  |
|--|--|
| Mounting-set, M12<br><a href="https://www.escha.net/en/products/standard/accessories-for-connectivity/8047664">https://www.escha.net/en/products/standard/accessories-for-connectivity/8047664</a>   |  |
| Torque-wrench set<br><a href="https://www.escha.net/en/products/standard/accessories-for-connectivity/8055431">https://www.escha.net/en/products/standard/accessories-for-connectivity/8055431</a>   |  |
| Marking rings Ø 9mm<br><a href="https://www.escha.net/en/products/standard/accessories-for-connectivity?p=1&amp;o=3&amp;n=15&amp;f=809">https://www.escha.net/en/products/standard/accessories-for-connectivity?p=1&amp;o=3&amp;n=15&amp;f=809</a> |  |
| Cable Stripping Tool<br><a href="https://www.escha.net/en/products/standard/accessories-for-connectivity/8066215">https://www.escha.net/en/products/standard/accessories-for-connectivity/8066215</a>  |  |
| Cable Stripping Tool<br><a href="https://www.escha.net/en/products/standard/accessories-for-connectivity/8066216">https://www.escha.net/en/products/standard/accessories-for-connectivity/8066216</a>  |  |
| Food & Beverage, Adapter<br><a href="https://www.escha.net/en/products/standard/accessories-for-connectivity/8063392">https://www.escha.net/en/products/standard/accessories-for-connectivity/8063392</a>  |  |

|                        |  |
|------------------------|--|
| <b>Link to product</b> |  |
|------------------------|--|

|   |  |
|---|--|
| <a href="https://www.escha.net/en/products/standard/connectors-for-the-food-industry/8050468">https://www.escha.net/en/products/standard/connectors-for-the-food-industry/8050468</a> |  |
|---|--|