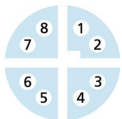
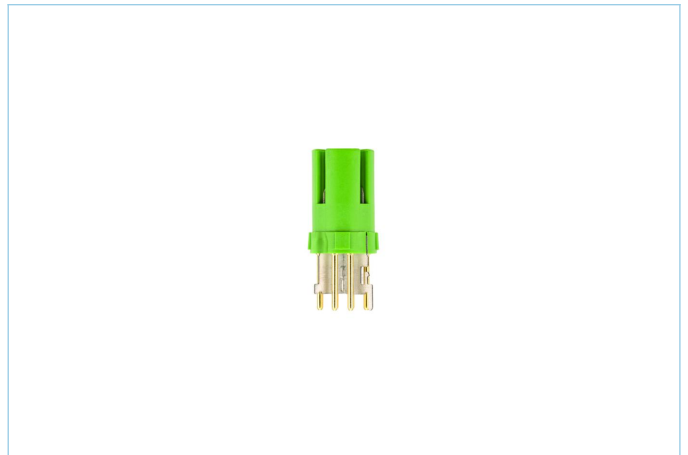
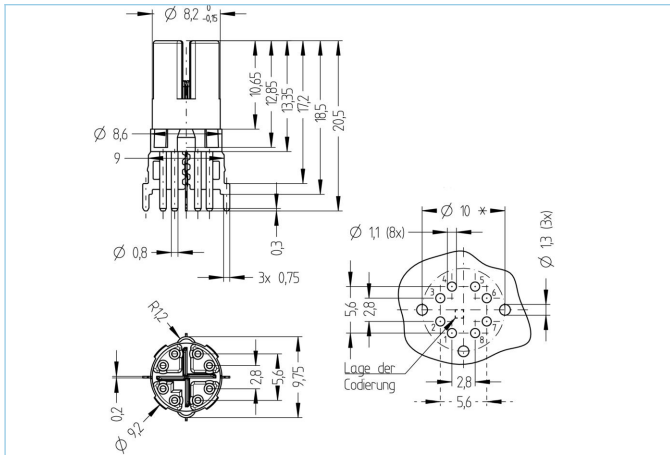


Receptacle, M12, female, straight, 8 poles, X-coded, insert connector, print contact, shielded, Industrial Ethernet



Product data

Item description	IE-EKSX8P
Item-No.	8050233
Customs tariff-No.	85366990
Step-File	IE-EKSX8-Pstp
EAN	4047106010003

Technical data

Connector	female, straight, M12
Number of pins	8
Coding	X
Rated voltage	50V _{AC} 60V _{DC}
Current load per pin (at 40°C)	0.5A
Insulation resistance	≥10 ⁹ Ω
Transmission features	Cat6A
Ambient temperature product	-25°C...+85°C
Contact material	Metal, CuZn, gold-plated
Contact-carrier material	Plastic, PA, GN
Receptacle housing material	Metal, CuZn, nickel-plated
Sealing (female) material	FPM/FKM
Mounting direction	Insert connector
Connecting type	Print contact
Standards	IEC 61076-2-109
Mechanical life-cycle	>100 mating cycles
Degree of pollution	2
Style	straight

Advanced technical data rail approved

Standards	DIN EN 50155, DIN EN 45545-2
Shock & vibration	Class 1, Category B (DIN EN 61373)
Temperature range	Tx (-40°C...+90°C)
Fire prevention according to	DIN EN 45545-2 HL1-3

Classification

eCl@ss 6.0	27279220
eCl@ss 7.0	27440103
eCl@ss 8.0	27440103
eCl@ss 9.0	27440103
ETIM 5.0	EC002061
ETIM 6.0	EC002061

Link to product

<https://www.escha.net/en/products/standard/receptacles/8050233>