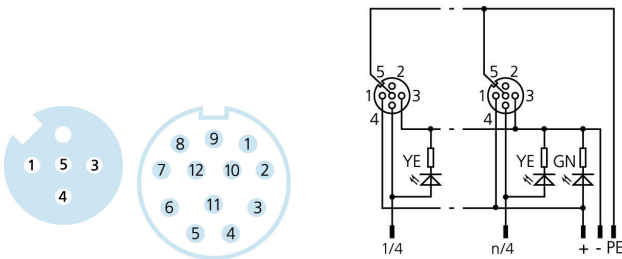
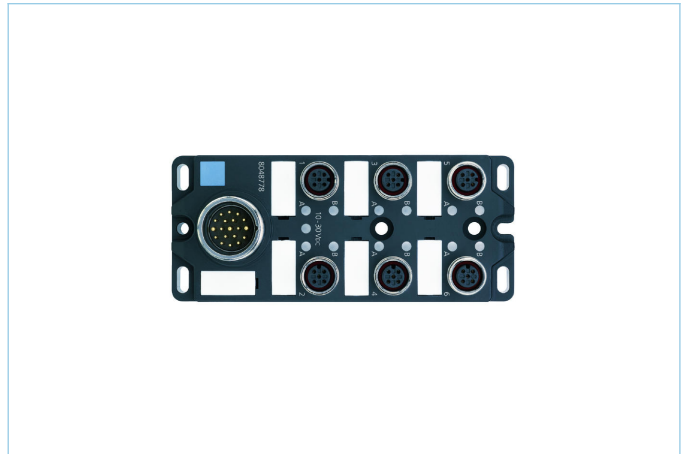
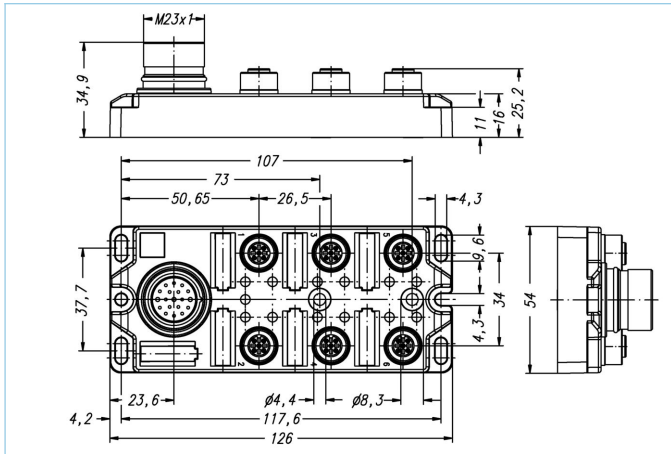


I/O-junctions passive, 6 ports, top contact, M12, female, 3+PE, M23, male, 12 poles



Product data

Item description	6I/OM12-5.4P2T
Item-No.	8048787
Customs tariff-No.	85366990
Step-File	6I_OM12-5_4P2Tstp
EAN	4047106008673
Remark	Labels (white) not included

Technical data

I/O-junction	6-way, M23, with connecting plug
I/O-slot	female, M12
Number of pins	3+PE
Coding	A
Rated voltage	30V
Current load per pin (at 40°C)	2A
Total current load	12A
Insulation resistance	≥10 ⁹ Ω
Resistance	≤ 5mΩ
Ambient temperature product	-30°C...+90°C
Number of LEDs	7
Number of I/O-slots	6
Circuit logic	pnp
Signal status-indicator	LED YE
Operating voltage-indicator	LED GN
Contact material	Metal, CuZn, gold-plated
Contact-carrier material	Plastic, PA, BK
Sealing (female) material	FPM/FKM
Housing material	Plastic, PA, BK

Thread insert material	Metal, CuZn
Connecting type	Top
Standards	IEC 61076-2-101
Degree of protection (mounted)	IP65, IP67
Mechanical life-cycle	>100 mating cycles
Connecting plug	M23, 12 poles
Sealing material, connecting-plug	Plastic, FPM/FKM
Receptacle housing material, connecting-plug	Metal, CuZn, nickel-plated
Contact material, connecting-plug	Metal, CuZn, gold-plated
Contact-carrier material, connecting-plug	Plastic, PA, BK
Mechanical life-cycle, connecting-plug	>100 mating cycles
Number of pins, connecting-plug	12
Degree of protection, connecting-plug (mounted)	IP65, IP67
Degree of pollution	3

Allocation chart

IO	1	2	3	4	5	6	all (+)	all (-)	all (-)	all (FE)
Pin	4	4	4	4	4	4	1	3	3	5
M23	1	2	3	4	5	6	11	9	10	12
Cable (12.003) Accessories	WH	GN	YE	GY	PK	RD	BN		BU	GNYE

Classification

eCl@ss 6.0	27279219
eCl@ss 7.0	27279219
eCl@ss 8.0	27279219
eCl@ss 9.0	27440108
ETIM 5.0	EC002585
ETIM 6.0	EC002585

Accessories

Screw plug, M12

<https://www.escha.net/en/products/standard/accessories-for-connectivity/8081767>

Labels, I/O-junction passive, I/O-junction active

<https://www.escha.net/en/products/standard/accessories-for-connectivity/8015002>

Single-ended cordset, M23

<https://www.escha.net/en/products/standard/sensoractuator-connectors/8026041>

Single-ended cordset, M23

<https://www.escha.net/en/products/standard/sensoractuator-connectors/8026050>

Field-wireable connector, M23, Soldering contact

<https://www.escha.net/en/products/standard/field-wireable-connectors/8013694>

Field-wireable connector, M23, Soldering contact

Accessories set, I/O-junction passive, M12

<https://www.escha.net/en/products/standard/accessories-for-connectivity/8087215>

Link to product

<https://www.escha.net/en/products/standard/i-o-junctions/8048787>