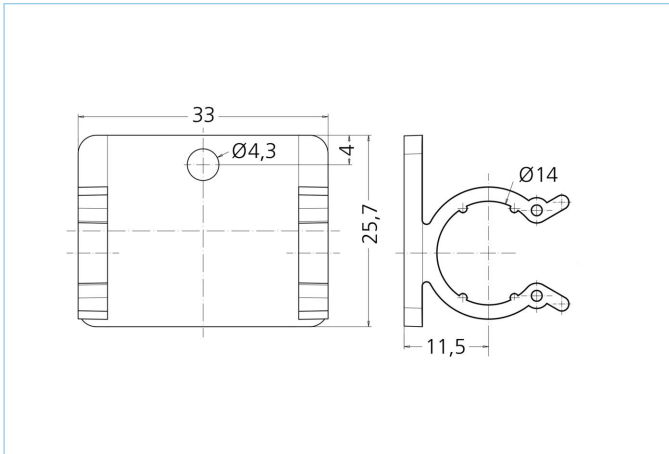


Mounting-clip, M12



Product data

Item description	Befestigungsclip M12
Item-No.	8047660
Customs tariff-No.	39269097
Packaging unit	1
Step-File	Befestigungsclip_M12.stp
EAN	4047106158309

Technical data

Description	1 clip
Material	POM

Classification

eCl@ss 6.0	27261207
eCl@ss 7.0	27440210
eCl@ss 8.0	27440210
eCl@ss 9.0	27440210
ETIM 5.0	EC002310
ETIM 6.0	EC002310

Link to product

<https://www.escha.net/en/products/standard/accessories-for-connectivity/8047660>