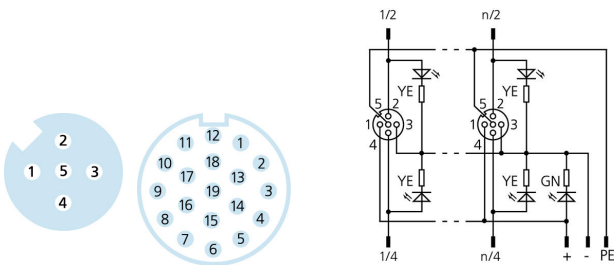
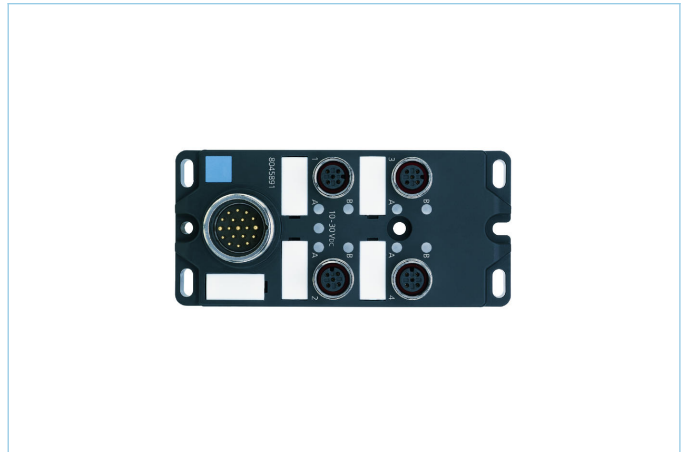
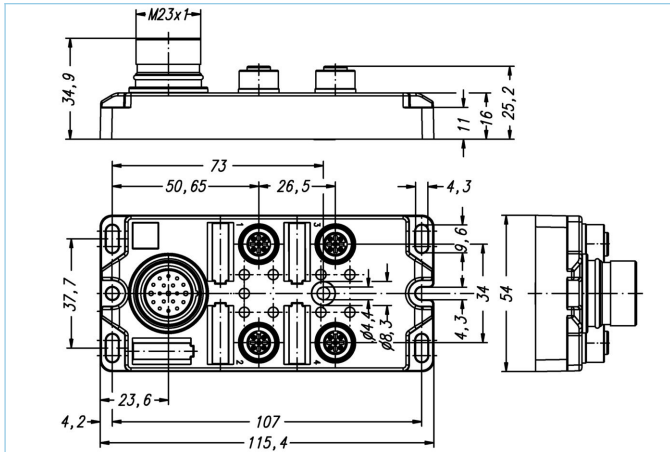


I/O-junctions passive, 4 ports, top contact, M12, female, 4+PE, M23, male, 19 poles



Product data

Item description	4I/OM12-5P3T
Item-No.	8045895
Customs tariff-No.	85366990
Step-File	4I_OM12-5P3T.stp
EAN	4047106004484
Remark	Labels (white) not included

Technical data

I/O-junction	4-way, M23, with connecting plug
I/O-slot	female, M12
Number of pins	4+PE
Coding	A
Rated voltage	30V
Current load per pin (at 40°C)	2A
Total current load	12A
Insulation resistance	≥10 ⁹ Ω
Resistance	≤ 5mΩ
Ambient temperature product	-30°C...+90°C
Number of LEDs	9
Number of I/O-slots	4
Circuit logic	pnP
Signal status-indicator	LED YE
Operating voltage-indicator	LED GN
Contact material	Metal, CuZn, gold-plated
Contact-carrier material	Plastic, PA, BK
Sealing (female) material	FPM/FKM
Housing material	Plastic, PA, BK

Thread insert material	Metal, CuZn
Connecting type	Top
Standards	IEC 61076-2-101
Degree of protection (mounted)	IP65, IP67
Mechanical life-cycle	>100 mating cycles
Connecting plug	M23, 19 poles
Sealing material, connecting-plug	Plastic, FPM/FKM
Receptacle housing material, connecting-plug	Metal, CuZn, nickel-plated
Contact material, connecting-plug	Metal, CuZn, gold-plated
Contact-carrier material, connecting-plug	Plastic, PA, BK
Mechanical life-cycle, connecting-plug	>100 mating cycles
Number of pins, connecting-plug	19
Degree of protection, connecting-plug (mounted)	IP65, IP67
Degree of pollution	3

Allocation chart

I/O	1		2		3		4		all (+)	all (-)	all (FE)
	2	4	2	4	2	4	2	4			
Pin	2	4	2	4	2	4	2	4	1	3	5
M23	7	15	4	5	8	16	14	3	19	6	12
Cable (19.001) Accessories	GYPK	WH	RDBU	GN	WHGN	YE	BNGN	GY	BN	BU	GNYE

Classification

eCl@ss 6.0	27279219
eCl@ss 7.0	27279219
eCl@ss 8.0	27279219
eCl@ss 9.0	27440108
ETIM 5.0	EC002585
ETIM 6.0	EC002585

Accessories

Screw plug, M12 https://www.escha.net/en/products/standard/accessories-for-connectivity/8081767
Labels, I/O-junction passive, I/O-junction active https://www.escha.net/en/products/standard/accessories-for-connectivity/8015002
Single-ended cordset, M23 https://www.escha.net/en/products/standard/sensoractuator-connectors/8026037
Single-ended cordset, M23 https://www.escha.net/en/products/standard/sensoractuator-connectors/8026047
Field-wireable connector, M23, Soldering contact https://www.escha.net/en/products/standard/field-wireable-connectors/8013696
Field-wireable connector, M23, Soldering contact

Link to product

https://www.escha.net/en/products/standard/fo-junctions/8045895
