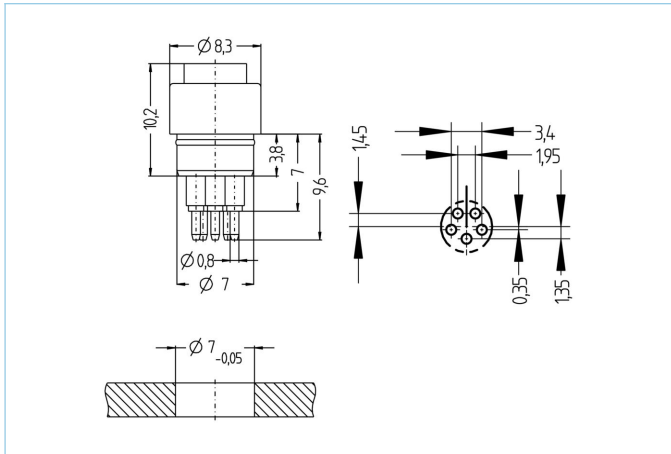


Panel connector, Ø8mm snap, female, straight, 5 poles, print contact



**Product data**

Item description	EKP4.5SP
Item-No.	8043797
Step-File	EKP4.5SPstp
EAN	4047106002701

**Technical data**

Connector	female, Ø8mm snap
Number of pins	5
Rated voltage	30V
Current load per pin (at 40°C)	3A
Insulation resistance	≥10 <sup>9</sup> Ω
Ambient temperature product	-30°C...+90°C
Contact material	Metal, CuZn, gold-plated
Contact-carrier material	Plastic, TPU, BK
Connecting type	Print contact
Standards	IEC 61076-2-104
Degree of protection (mounted)	IP65, IP67
Mechanical life-cycle	>100 mating cycles
Degree of pollution	3/2
Style	straight

**Classification**

eCl@ss 6.0	27279220
eCl@ss 7.0	27440103
eCl@ss 8.0	27440103
eCl@ss 9.0	27440103
ETIM 5.0	EC002061
ETIM 6.0	EC002061

**Link to product**

<https://www.escha.net/en/products/standard/receptacles/8043797>