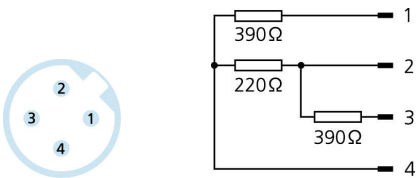
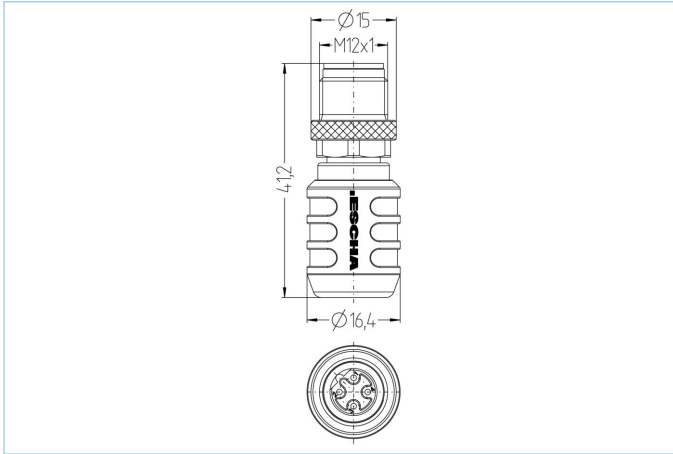


Termination connector, M12, male, straight, 4 poles, B-coded, Profibus



Product data	
Item description	PB-WASSW4.017-AS
Item-No.	8043520
Customs tariff-No.	85366990
Step-File	PB-WASSW4-AS.stp
EAN	4047106002459
Technical data	
Connector	male, straight, M12
Function	PROFIBUS Termination connector (male)
Number of pins	4
Coding	B
Rated voltage	60V
Current load per pin (at 40°C)	4A
Insulation resistance	≥10 <sup>9</sup> Ω
Ambient temperature product	-30°C...+90°C
Contact material	Metal, CuZn, gold-plated
Contact-carrier material	Plastic, TPU, BK
Grip body material	Plastic, TPU, BK
Coupling nut material	Metal, CuZn
Shielding	with shielding
Standards	IEC 61076-2-101
Degree of protection (mounted)	IP65, IP67, IP68
Mechanical life-cycle	>100 mating cycles
Degree of pollution	3
Style	straight

#### Classification

eCl@ss 6.0	19070403
eCl@ss 7.0	19070403
eCl@ss 8.0	19070403
eCl@ss 9.0	19070403
ETIM 5.0	EC000448
ETIM 6.0	EC000448

#### Link to product

<https://www.escha.net/en/products/standard/data-connectors/8043520>