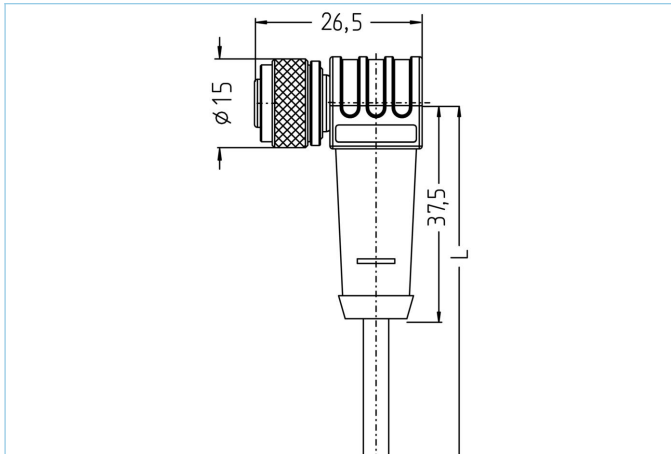


## M12, female, angled, 3 poles, sensor-/actuator cable, high-temperature



| Product data                   |                            |
|--------------------------------|----------------------------|
| Item description               | HT-WWAK3-10/S2430          |
| Item-No.                       | 8039225                    |
| Length                         | 10m                        |
| Customs tariff-No.             | 85444290                   |
| Step-File                      | HT-WWAK3.stp               |
| EAN                            | 4047106001292              |
| Technical data                 |                            |
| Connector                      | female, angled, M12        |
| Number of pins                 | 3                          |
| Pin assignment                 | 1 BN, 3 BU, 4 BK           |
| Coding                         | A                          |
| Rated voltage                  | 250V                       |
| Current load per pin (at 40°C) | 4A                         |
| Insulation resistance          | $\geq 10^9 \Omega$         |
| Ambient temperature product    | -20°C...+150°C             |
| Contact material               | Metal, CuZn, gold-plated   |
| Contact-carrier material       | Plastic, PBT GF, BK        |
| Grip body material             | Plastic, PBT GF, BK        |
| Coupling nut material          | Metal, CuZn, nickel-plated |
| Sealing (female) material      | FPM/FKM                    |
| Standards                      | IEC 61076-2-101            |
| Degree of protection (mounted) | IP65                       |
| Mechanical life-cycle          | >100 mating cycles         |
| Cable end assembly             | 50mm stripped              |
| Degree of pollution            | 3                          |
| Style                          | angled                     |

**Cable web** PTFE, S2430, high temp

The thermal resistance of this high-temperature cable extends from -190°C to +260°C. In addition, it stands out through a very good chemical strength, as well as its ozone- and weather resistance.

|                           |   |
|---------------------------|---|
| Outer diameter of jacket  | 3.80 mm   |
| Cable-jacket material     | PTFE  |
| Jacket color              | WH, similar RAL9003   |
| Wire cross-section        | 5 x AWG22   |
| Wire insulation material  | PTFE  |
| Wire colors               | BN, WH, BU, BK, GY  |
| Wire structure            | 7 x 0.254 mm  |
| Bending radius (fixed)    | 5 x Ø-cable   |
| Bending radius (repeated) | 10 x Ø-cable  |
| Temperature range (fixed) | -190°C...+260°C   |
| Rated voltage cable       | ≤250 V  |
| Special features          | low emission of smoke, excellent chemicals resistance, hydrolysis proof, LABS free, non-flammable, ozone resistant, RoHs compliant, seawater resistant, UV resistant, flexibility at low temperature, flexible at high temperatures |

**Classification**

|            |          |
|------------|----------|
| eCl@ss 6.0 | 27279218 |
| eCl@ss 7.0 | 27279218 |
| eCl@ss 8.0 | 27279218 |
| eCl@ss 9.0 | 27060311 |
| ETIM 5.0   | EC001855 |
| ETIM 6.0   | EC001855 |

**Accessories**
**Mounting-set, M12**

<https://www.escha.net/en/products/standard/accessories-for-connectivity/8047664>

**Torque-wrench set**

<https://www.escha.net/en/products/standard/accessories-for-connectivity/8055431>

**Marking rings Ø 9mm**

<https://www.escha.net/en/products/standard/accessories-for-connectivity?p=1&o=3&n=15&f=809>

**Cable Stripping Tool**

<https://www.escha.net/en/products/standard/accessories-for-connectivity/8066215>

**Cable Stripping Tool**

<https://www.escha.net/en/products/standard/accessories-for-connectivity/8066216>

**Link to product**

<https://www.escha.net/en/products/standard/sensoractuator-connectors/8039225>