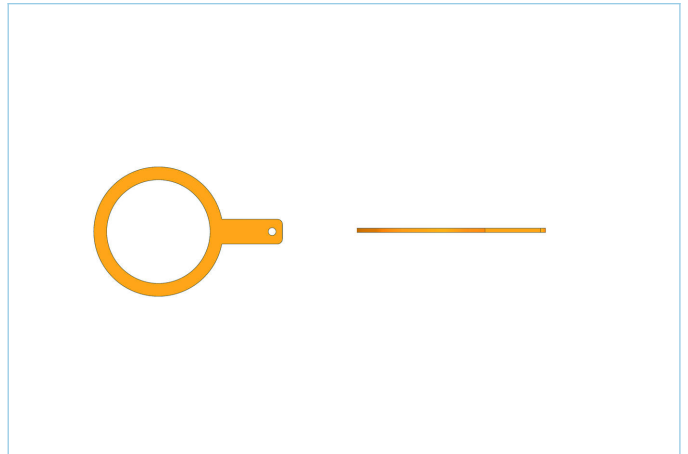
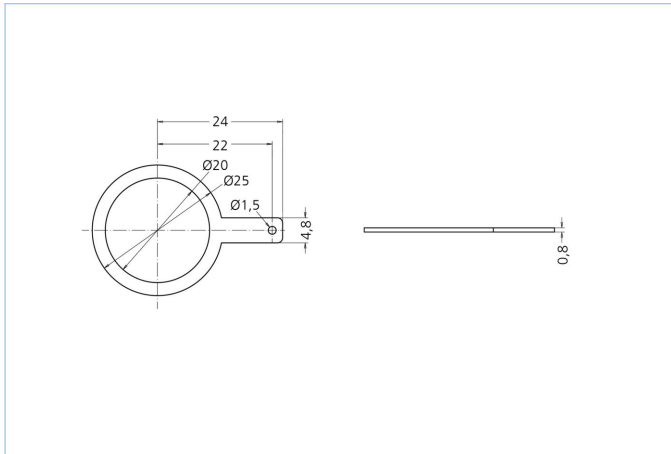


Solder tags, M20



Product data

Item description	Lötöse M20x1,5
Item-No.	8036044
Customs tariff-No.	73181900
Packaging unit	1
Step-File	Loetoesse_M20x1_5.stp
EAN	4047106158156

Technical data

Description	for grounding of receptacle housings
Material	Metal, CuZn, nickel-plated

Classification

eCl@ss 6.0	27189234
eCl@ss 7.0	27189234
eCl@ss 8.0	27189234
eCl@ss 9.0	27189234
ETIM 5.0	EC002625
ETIM 6.0	EC002625

Link to product

<https://www.escha.net/en/products/standard/accessories-for-connectivity/8036044>