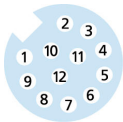
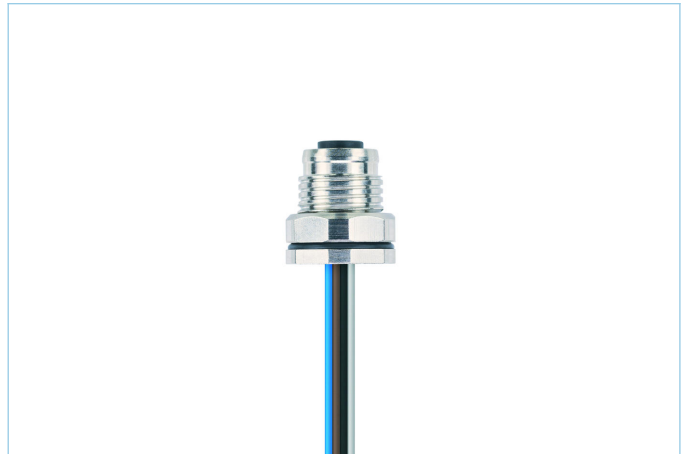
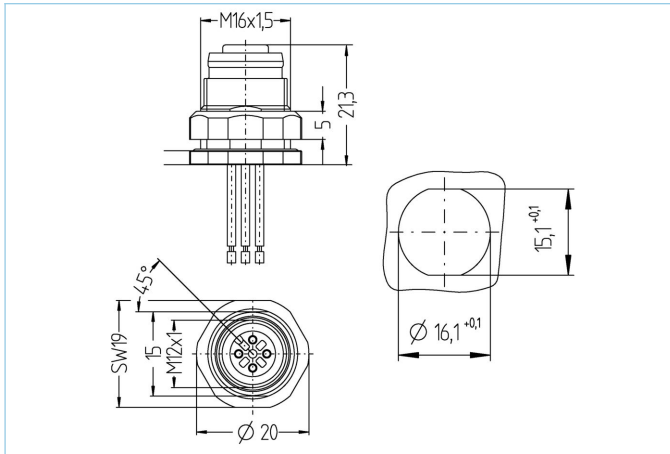


Receptacle, M12, female, straight, 12 poles, back wall-mounting, wire contact, stainless steel



Product data

| | |
|--------------------|---------------------|
| Item description | EC-FKFDE12-0,5/16 |
| Item-No. | 8029700 |
| Customs tariff-No. | 85444290 |
| Step-File | EC-FKFDE12-m_16.stp |
| EAN | 4047106012571 |

Technical data

| | |
|--------------------------------|---|
| Connector | female, straight, M12 |
| Number of pins | 12 |
| Pin assignment | 1 BN, 2 BU, 3 WH, 4 GN, 5 PK, 6 YE, 7 BK, 8 GY, 9 RD, 10 VT, 11 GYPK, 12 RDBU |
| Coding | A |
| Rated voltage | 30V |
| Current load per pin (at 40°C) | 1.5A |
| Insulation resistance | ≥10 ⁹ Ω |
| Ambient temperature product | -30°C...+90°C |
| Contact material | Metal, CuZn, gold-plated |
| Contact-carrier material | Plastic, PA GF, BK |
| Receptacle housing material | Stainless steel 1.4404 |
| Sealing (female) material | FPM/FKM |
| Material of external sealing | NBR |
| Mounting direction | Back wall-mounting (incl. Fixing screw) |
| Wire length | 0.50m |
| Wire colors | BN, BU, WH, GN, PK, YE, BK, GY, RD, VT, GYPK, RDBU |
| Wire cross-section | 12 x 0.14 mm ² |
| Wire insulation material | PVC |
| Adjustable fixing screw | Yes |
| Fastening thread | M16x1.5 |

| | |
|--------------------------------|--------------------|
| Connecting type | Wire contact |
| Standards | IEC 61076-2-101 |
| Degree of protection (mounted) | IP65, IP67, IP68 |
| Mechanical life-cycle | >100 mating cycles |
| Degree of pollution | 3 |
| Style | straight |
| Classification | |
| eCl@ss 6.0 | 27279220 |
| eCl@ss 7.0 | 27440103 |
| eCl@ss 8.0 | 27440103 |
| eCl@ss 9.0 | 27440103 |
| ETIM 5.0 | EC002061 |
| ETIM 6.0 | EC002061 |