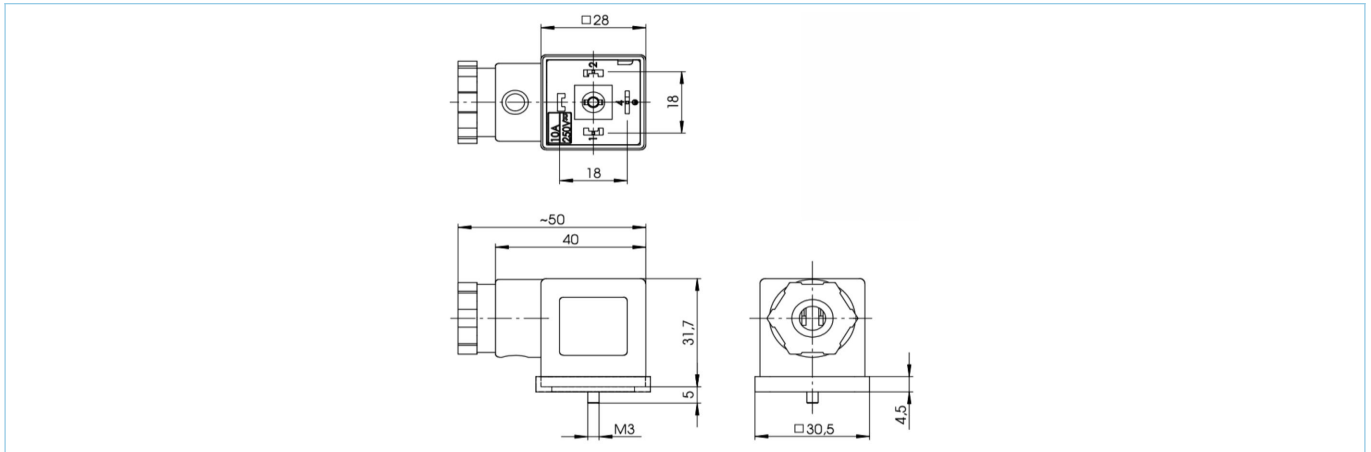


Field-wireable, Valve connector, housing style A, 2+PE, screw-/clamp contact



Product data

Item description	VC-AC21-0.220-K
Item-No.	8028723
Customs tariff-No.	85366990
EAN	4047106014568

Technical data

Connector	female, angled, Valve A
Number of pins	2+PE
Rated voltage	250V
Current load per pin (at 40°C)	10A
Resistance	≤ 15mΩ
Ambient temperature product	-25°C...+90°C
Contact material	Metal, CuZn, tinned
Contact-carrier material	Plastic, PA, BK
Grip body material	Plastic, PA, BK
Sealing (female) material	Plastic, NBR
Housing style	A
Connecting cross-section	0.5 mm ² ... 1.5 mm ² *
Cable outlet	6...8 mm
Connecting type	Screw-/clamp contact
Standards	DIN EN 175301-803
Degree of protection (mounted)	IP65
Style	angled
Contact tightening torque	max. 0,3 NM
Cabel gland tightening torque	1,8 ± 0,2 NM
Fastening screw tightening torque	0,4 ± 0,1 NM

***Wiring remark**

In order to establish a suitable electrical connection, the use of wire-end-sleeves for stranded respectively fine-stranded conductors is mandatory. (max. length 4.3mm, non insulated wire end sleeves are recommended)
 Be aware that the conductor cross-section affects the maximum current-load capacity.