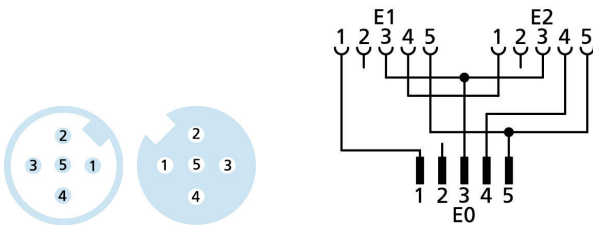
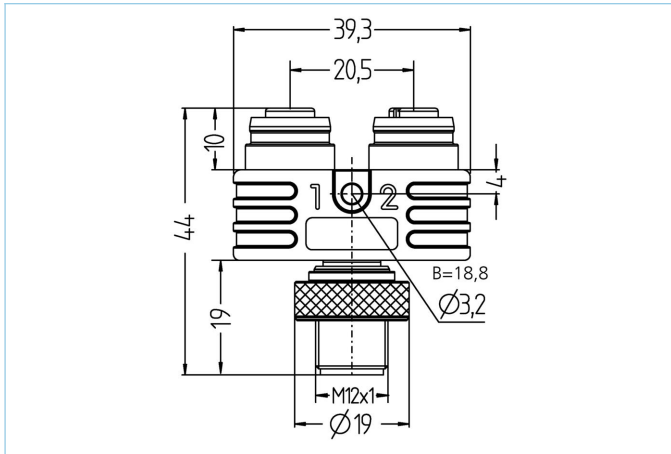


Y-splitter, M12, male, straight, 5 poles, M12, female, straight, 5 poles, M12, female, straight, 5 poles



**Product data**

|                    |                         |
|--------------------|-------------------------|
| Item description   | MB-FSM5.4-2FKM5.4-2xAND |
| Item-No.           | 8027501                 |
| Customs tariff-No. | 85366990                |
| Step-File          | MB-FSM5-2FKM5_4.stp     |
| EAN                | 4047106019402           |

| Technical data           | Exit 0                     | Exit 1                     | Exit 2                     |
|--------------------------|----------------------------|----------------------------|----------------------------|
| Connector                | male, M12                  | female, M12                | female, M12                |
| Contact material         | Metal, CuZn, gold-plated   | Metal, CuZn, gold-plated   | Metal, CuZn, gold-plated   |
| Contact-carrier material | Plastic, TPU, BK           | Plastic, TPU, BK           | Plastic, TPU, BK           |
| Coupling nut material    | Metal, CuZn, nickel-plated | Metal, CuZn, nickel-plated | Metal, CuZn, nickel-plated |
| Rated voltage            | 60V                        | 60V                        | 60V                        |
| Coding of                | A                          | A                          | A                          |
| Number of pins           | 5                          | 5                          | 5                          |
| Current load (at 40°C)   | 4A                         | 4A                         | 4A                         |

|                                |                    |
|--------------------------------|--------------------|
| Insulation resistance          | ≥10 <sup>9</sup> Ω |
| Ambient temperature product    | -30°C...+90°C      |
| Circuit logic                  | 2x passive AND     |
| Grip body material             | Plastic, TPU, BU   |
| Sealing (female) material      | FPM/FKM            |
| Mechanical life-cycle          | >100 mating cycles |
| Standards                      | IEC 61076-2-101    |
| Degree of protection (mounted) | IP65, IP67, IP68   |
| Degree of pollution            | 3                  |

### Classification

|            |          |
|------------|----------|
| eCl@ss 6.0 | 27279201 |
| eCl@ss 7.0 | 27279201 |
| eCl@ss 8.0 | 27279201 |
| eCl@ss 9.0 | 27440106 |
| ETIM 5.0   | EC002062 |
| ETIM 6.0   | EC002925 |

### Link to product

<https://www.escha.net/en/products/standard/t-splitters-y-splitters/8027501>