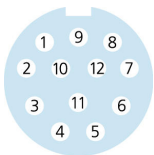
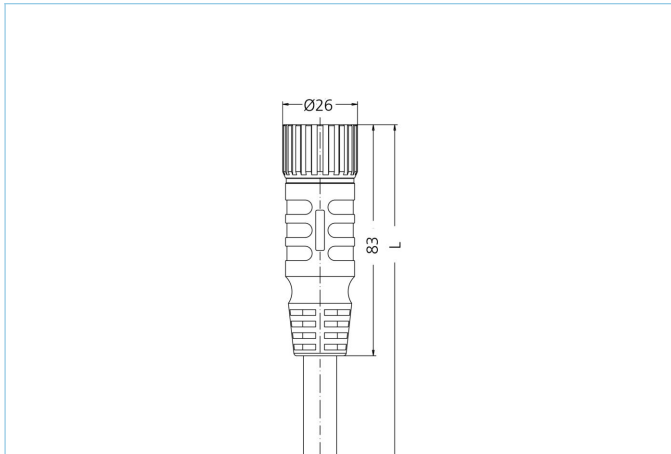


## M23, female, straight, 12 poles



### Product data

Item description	MKCU12.003-2/S370
Item-No.	8026243
Length	2m
Customs tariff-No.	85444290
Step-File	MKCU12.stp
EAN	4047106000059

### Technical data

Connector	female, straight, M23
Number of pins	12
Pin assignment	1 WH, 2 GN, 3 YE, 4 GY, 5 PK, 6 RD, 7 BK, 8 VT, 9 n.c., 10 BU, 11 BN, 12 GNYE
Rated voltage	125V
Current load power	8A contacts 10,11,12
Current load signal	4A, all other contacts
Insulation resistance	$\geq 10^9 \Omega$
Ambient temperature product	-30°C...+90°C
Contact material	Metal, CuZn, gold-plated
Contact-carrier material	Plastic, PBT, BK
Grip body material	Plastic, TPU, BK
Coupling nut material	Metal, CuZn, nickel-plated
Sealing (female) material	Plastic, NBR
Degree of protection (mounted)	IP65, IP67
Mechanical life-cycle	>100 mating cycles
Cable end assembly	open cable end
Degree of pollution	3
Style	straight

<b>Cable web</b>	<b>PUR, UL, S370</b>
------------------	----------------------

Flexible, silicone- and halogen-free control line with high mechanical strength. The cable is chemicals, hydrolysis-, and microbes- resistant. The drag-chain application is possible at a bending radius of minimum 10 x d. Due to its weld-field immunity, the cable is very well suited for the flexible application in robotics, machine-tool, and metal-cutting production. The cables meet the UL and CSA (UL10493/20549; cULus) requirements.

Outer diameter of jacket	8.2 mm
Cable-jacket material	PUR
Jacket color	BK, similar RAL9005
Wire cross-section	8 x 0.34 mm <sup>2</sup> + 3 x 1 mm <sup>2</sup>
Wire insulation material	PP
Wire colors	WH, BK, GN, YE, GY, PK, VT, RD, BN, BU, GNYE
Bending radius (repeated)	min. 10 x Ø-cable
Temperature range (repeated)	-5°C...+80°C
Temperature range (fixed)	-40°C...+80°C
Drag chain-application	2 Mio. cycles
Halogen-free	Yes
Special features	flame retardant, halogen free, LABS free, RoHs compliant, drag chain-adapted

<b>Classification</b>	
-----------------------	--

eCl@ss 6.0	27279218
eCl@ss 7.0	27279218
eCl@ss 8.0	27279218
eCl@ss 9.0	27060311
ETIM 5.0	EC001855
ETIM 6.0	EC001855

<b>Link to product</b>
------------------------

<https://www.escha.net/en/products/standard/sensoractuator-connectors/8026243>