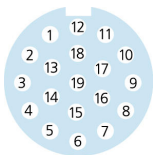
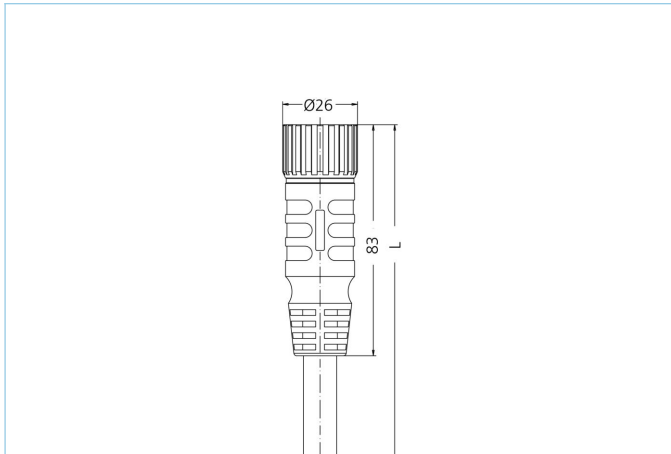


## M23, female, straight, 19 poles



### Product data

Item description	MKCU19.001-5/S370
Item-No.	8026036
Length	5m
Customs tariff-No.	85444290
Step-File	MKCU19.001-L_S370.stp
EAN	4047106024505

### Technical data

Connector	female, straight, M23
Number of pins	19
Pin assignment	1, 2, 9, 10, 11, 13, 17, 18 n.c., 3 GY, 4 RDBU, 5 GN, 6 BU, 7 GYPK, 8 WHGN, 12 GNYE, 14 BNGN, 15 WH, 16 YE, 19 BN
Rated voltage	125V
Current load power	10A contacts 6,12,19
Current load signal	4A, all other contacts
Insulation resistance	$\geq 10^9 \Omega$
Ambient temperature product	-30°C...+90°C
Contact material	Metal, CuZn, gold-plated
Contact-carrier material	Plastic, PBT, WH
Grip body material	Plastic, TPU, BK
Coupling nut material	Metal, CuZn, nickel-plated
Sealing (female) material	Plastic, NBR
Degree of protection (mounted)	IP65, IP67
Mechanical life-cycle	>100 mating cycles
Cable end assembly	open cable end
Degree of pollution	3
Style	straight

<b>Cable web</b>	<b>PUR, UL, S370</b>
------------------	----------------------

Flexible, silicone- and halogen-free control line with high mechanical strength. The cable is chemicals, hydrolysis-, and microbes- resistant. The drag-chain application is possible at a bending radius of minimum 10 x d. Due to its weld-field immunity, the cable is very well suited for the flexible application in robotics, machine-tool, and metal-cutting production. The cables meet the UL and CSA (UL10493/20549; cULus) requirements.

Outer diameter of jacket	8.2 +/- 0.3 mm
Cable-jacket material	PUR
Jacket color	BK, similar RAL9005
Wire cross-section	8 x 0.34 mm <sup>2</sup> + 3 x 1 mm <sup>2</sup>
Wire insulation material	PP
Wire colors	GY, RDBU, GN, GYPK, WHGN, BNGN, WH, BU, GNYE, BN
Bending radius (fixed)	5 x Ø-cable
Bending radius (repeated)	10 x Ø-cable
Temperature range (repeated)	-30°C...+90°C
Temperature range (fixed)	-40°C...+90°C
Temperature range (drag chain)	-25°C...+60°C
Drag chain-application	2 Mio. cycles
Halogen-free	Yes
Rated voltage cable	≤300 V
Special features	flame retardant, halogen free, hydrolysis proof, LABS free, oil resistant, ozone resistant, recyclable, RoHs compliant, acid- and alkali resistant, drag chain-adapted, welding sparks resistant, seawater resistant, silicone free, torsion resistant, UV resistant

<b>Classification</b>	
-----------------------	--

eCl@ss 6.0	27279218
eCl@ss 7.0	27279218
eCl@ss 8.0	27279218
eCl@ss 9.0	27060311
ETIM 5.0	EC001855
ETIM 6.0	EC001855

<b>Link to product</b>
------------------------

<https://www.escha.net/en/products/standard/sensoractuator-connectors/8026036>