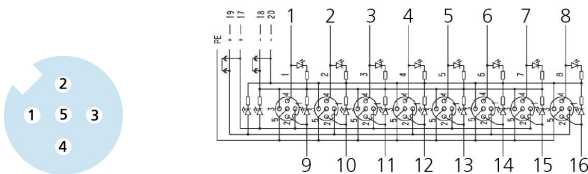
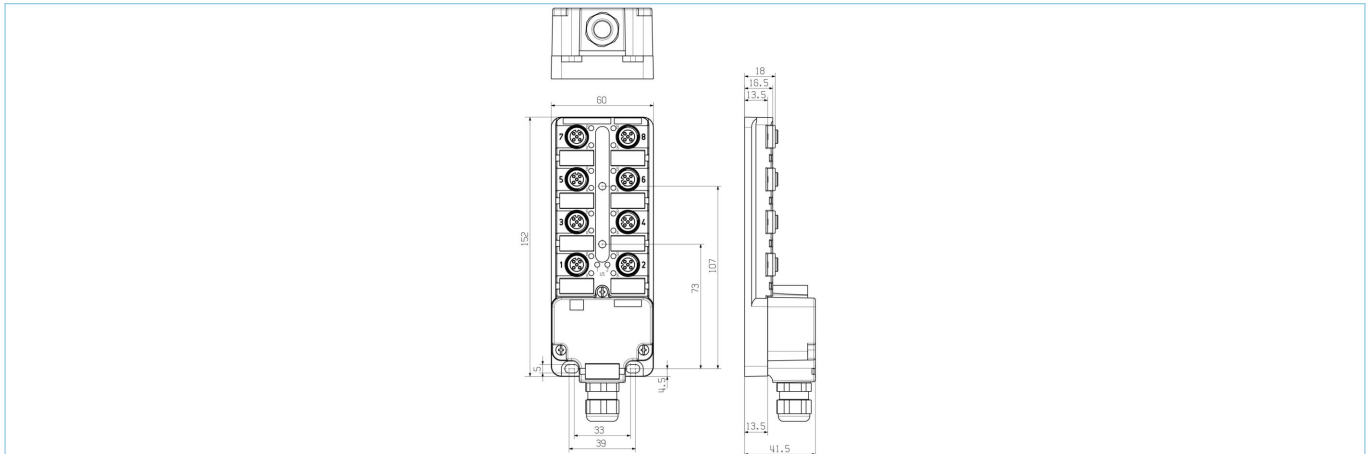


## I/O-junctions, 8 ports, front contact, M12, female, 5 poles



### Product data

Item description	8MB12-5P4-K-SK
Item-No.	8018198
Customs tariff-No.	85366990
EAN	4047106061234

### Technical data

I/O-junction	8-way, M12
I/O-slot	female, M12
Number of pins	5
Coding	A
Rated voltage	30V
Current load per pin (at 40°C)	2A
Total current load	12A
Insulation resistance	$\geq 10^9 \Omega$
Resistance	$\leq 5 m\Omega$
Ambient temperature product	-30°C...+90°C
Number of I/O-slots	8
Circuit logic	pnp
Signal status-indicator	LED YE
Operating voltage-indicator	LED GN
Contact material	Metal, CuZn, gold-plated
Contact-carrier material	Plastic, PBT, BK
Housing material	Plastic, PBT, GY
Thread insert material	Metal, CuZn
Connecting type	Hood version
Degree of protection (mounted)	IP65, IP67
Mechanical life-cycle	>50 mating cycles
Degree of pollution	3