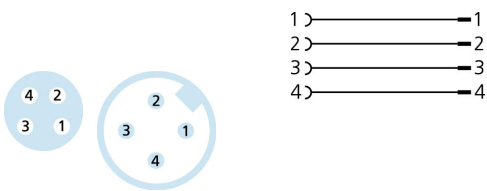
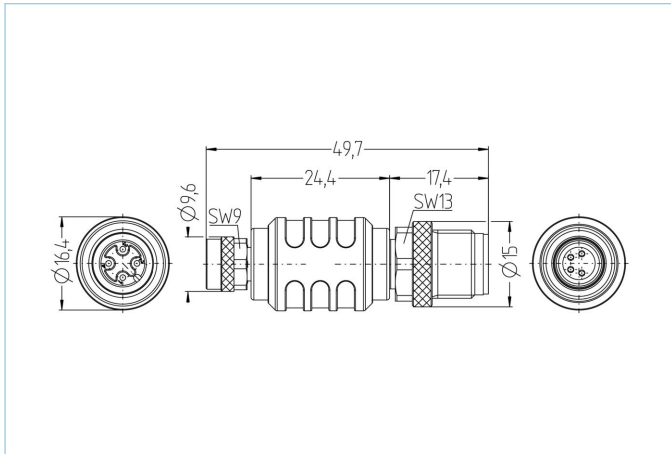


Adapter, M8, female, straight, 4 poles, M12, male, straight, 4 poles



Product data

Item description	AL-SKP4-AL-WAS4
Item-No.	8008138
Customs tariff-No.	85366990
Step-File	AL-SKP4-AL-WAS4.stp
EAN	4047106094294

Technical data	A-side	B-side
Connector	female, M8	male, M12
Number of pins	4	4
Coding of	A	A
Rated voltage	50VAC 60VDC	50VAC 60VDC
Current load (at 40°C)	4A	4A
Insulation resistance	≥10 ⁹ Ω	≥10 ⁹ Ω
Ambient temperature product	-30°C...+90°C	-30°C...+90°C
Contact material	Metal, CuZn, gold-plated	Metal, CuZn, gold-plated
Contact-carrier material	Plastic, TPU, BK	Plastic, TPU, BK
Grip body material	Plastic, TPU, BK	Plastic, TPU, BK
Coupling nut material	Metal, CuZn, nickel-plated	Metal, CuZn, nickel-plated
Sealing (female) material	FPM/FKM	
Standards	IEC 61076-2-101	IEC 61076-2-104
Degree of protection (mounted)	IP65, IP67, IP68	IP65, IP67, IP68
Mechanical life-cycle	>100 mating cycles	>100 mating cycles
Degree of pollution	3	3

Classification

eCl@ss 6.0	27279201
eCl@ss 7.0	27279201
eCl@ss 8.0	27279201
eCl@ss 9.0	27440106
ETIM 5.0	EC002062
ETIM 6.0	EC002925

Link to product

<https://www.escha.net/en/products/standard/sensoractuator-connectors/8008138>